



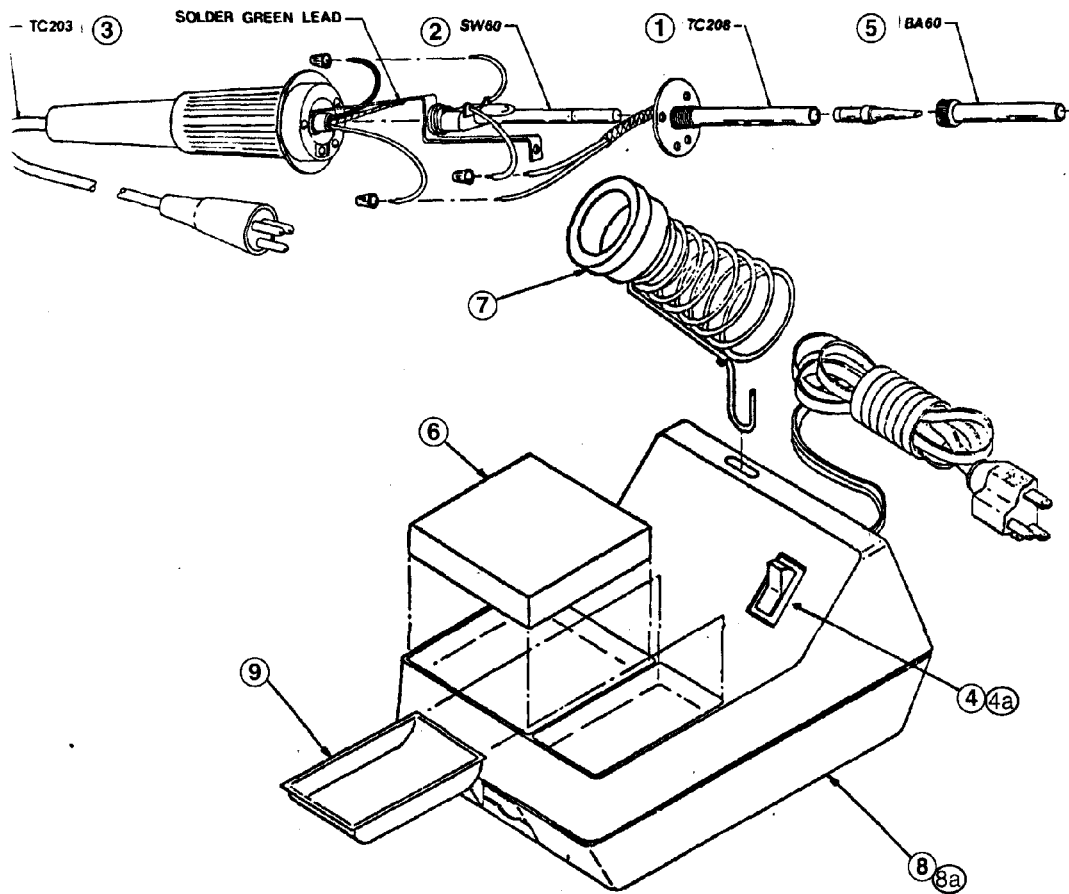
Main Electronic Supplies Ltd.

4554 Main Street Vancouver BC V5V 3R5
604-872-0267 Fax 604-872-0268

Electronic Parts Distributor to the Service Industry

WTCPN

Controlled Output Soldering Station



ITEM NO.	PART NO.	DESCRIPTION	ITEM NO.	PART NO.	DESCRIPTION
1	TC208	Heater	8a	TC202D	Power Unit Only (240 v.), includes Sponge and Iron Holder for WTCPN
2	SW80	Switch Assembly	9.	TC206	Tip Tray
3	N/A	Cord Set W/Handle		TC201T	Soldering Pencil, includes BA60 and PTA7 Tip
4	EC219	Switch/ Light Power Unit (WTCPN)	N/S	PL120	Plug/ Receptacle Kit
4a	EC220	Switch/ Light Power Unit (WTCPND)			
5	BA60	Barrel Nut Assembly			
6	TC205	Sponge (10 per package)			
7	TC204	Iron Holder W/ Funnel			
8	TC202	Power Unit Only, Includes Sponge and Iron Holder for WTCPN			



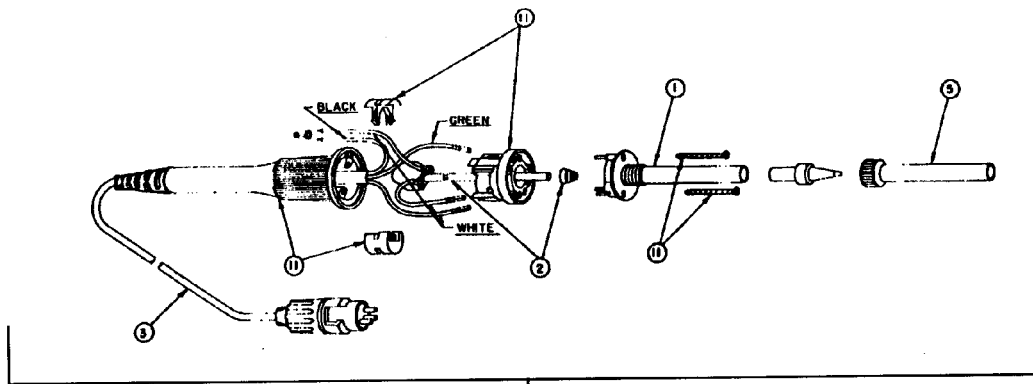
Main Electronic Supplies Ltd.

4554 Main Street Vancouver BC V5V 3R5
604-872-0267 Fax 604-872-0268

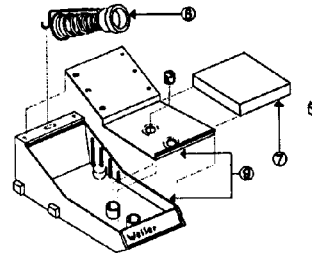
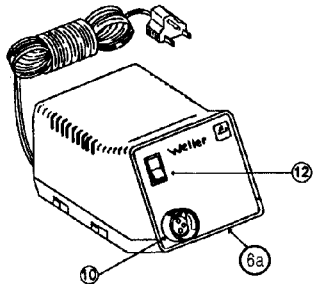
Electronic Parts Distributor to the Service Industry

WTCPS / WTCPSD

Controlled Output Soldering Station



TC201T



ITEM NO.	PART NO.	DESCRIPTION	ITEM NO.	PART NO.	DESCRIPTION
1	EC234	Heater (Plug-in Type)	10	PL120	Plug/Receptacle Kit
2	SW60	Switch Assembly W/Spring	11	EC232	Handle Assembly
3	TC217	Cordset W/ Plug	12	SW120	Switch/Light Power Unit WTCPS
4	TC201T	Soldering Pencil W/T ip	12a	SW240	Switch/Light Power Unit WTCPSD
5	BA60	Barrel Nut Assembly	*	TR215	Power Transformer 120V
6	PU120T	Power Unit Only WTCPS	*	TR216	Power Transformer 240V
6a	PU240T	Power Unit Only WTCPSD	*	FP1	Fuse
7	TC205	Sponge			
8	TC204	Iron Holder W/ Funnel			
9	PH1201ESD	Iron Stand			

* not shown



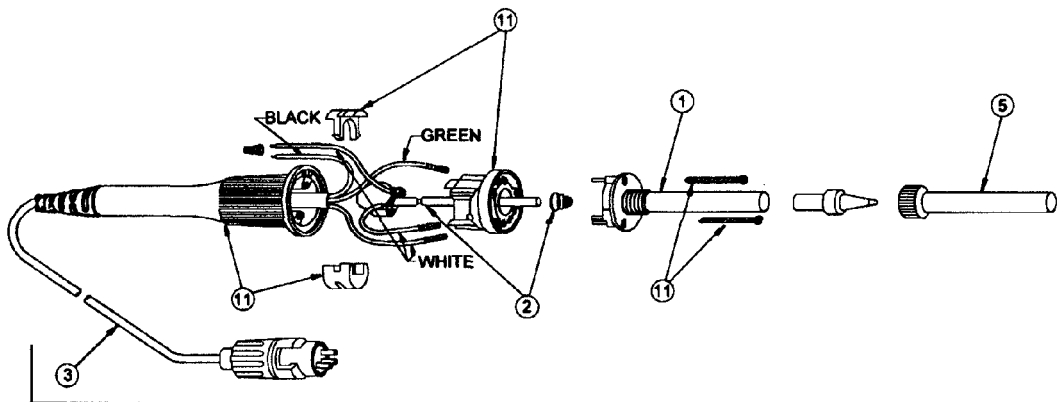
Main Electronic Supplies Ltd.

4554 Main Street Vancouver BC V5V 3R5
604-872-0267 Fax 604-872-0268

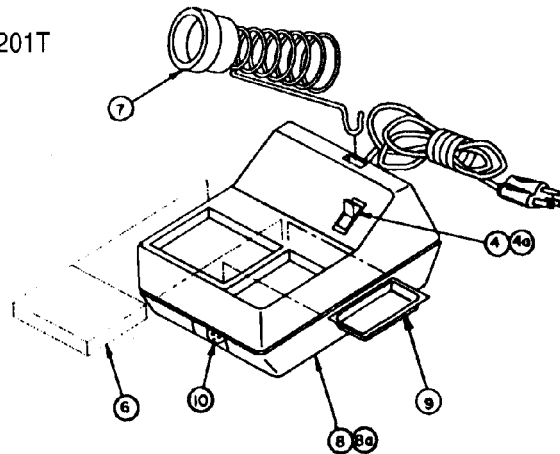
Electronic Parts Distributor to the Service Industry

WTCPR / WTCPRD

Controlled Output Soldering Station



TC201T



ITEM NO.	PART NO.	DESCRIPTION	ITEM NO.	PART NO.	DESCRIPTION
1	EC234	Heater Assembly	9	TC206	Tip Tray
2	SW60	Switch Assembly W/ Spring	10	PL120	Plug/Receptacle Kit
3	TC217	Cordset W/ Plug and Strain Relief	11	EC232	Handle Assembly
4	EC219	Power Switch 120V	12	TC201T	Soldering Pencil W/Tip
4a	EC220	Power Switch 240V			
5	BA60	Barrel Nut Assembly			
6	TC205	Sponge			
7	TC204	Iron Holder W/ Funnel			
8	TC202	Power Unit Only. Includes Sponge & Iron Holder			
8a	TC202D	Power Unit Only. Includes Sponge & Iron Holder			



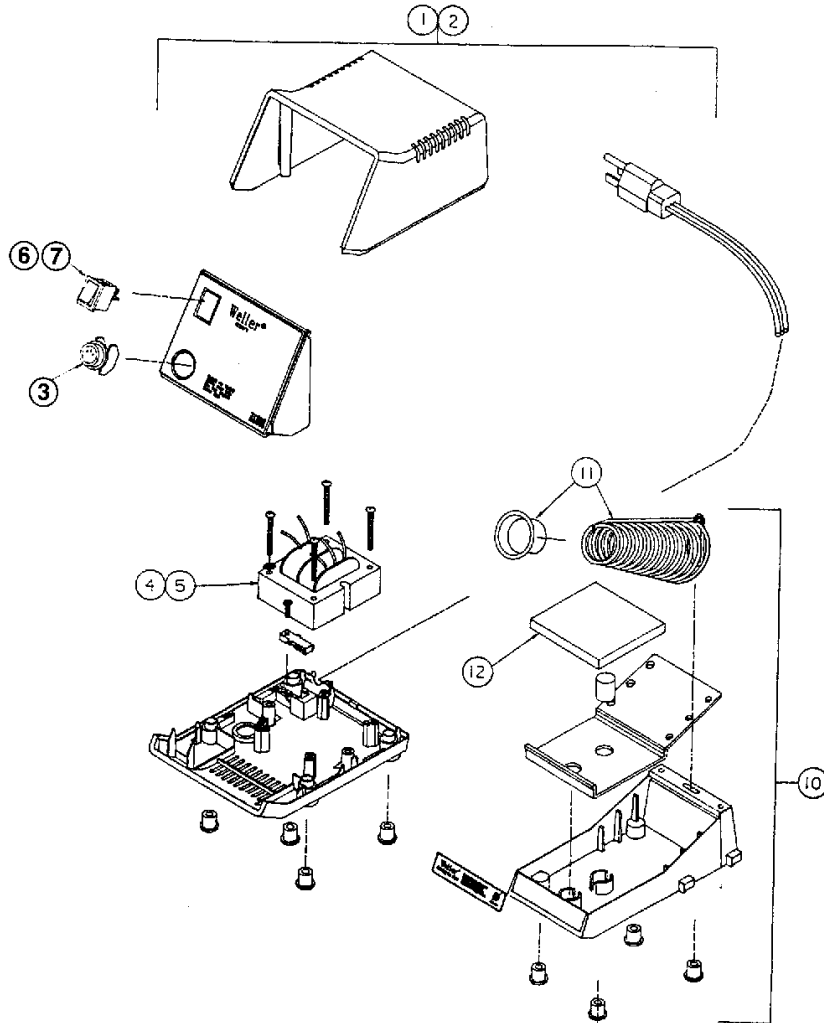
Main Electronic Supplies Ltd.

4554 Main Street Vancouver BC V5V 3R5
604-872-0267 Fax 604-872-0268

Electronic Parts Distributor to the Service Industry

WTCPT

Soldering Station



ITEM NO.	PART NO.	DESCRIPTION	ITEM NO.	PART NO.	DESCRIPTION
1	PU120T	Power Unit 120 VAC W/O Iron & Stand	11	TC204	Spring & Funnel Assembly (EC1201A Iron Ass'y)
2	PU240T	Power Unit 240 VAC W/O Iron & Stand	12	TC205	Sponge
3	PL120	Plug/Receptacle Kit			
4	TR215	Transformer 120 VAC			
5	TR216	Transformer 240 VAC			
6	SW120	Switch 120 VAC			
7	SW240	Switch 240 VAC			
8	FP3	Fuse 120 VAC 1/4" D. x 1 1/4" L. 0.6A.			
9	FP	Fuse 240 VAC 5mm Dia. x 20 mm. LG. 0.315A.			
10	PH1201ESD	Iron Stand Assembly (EC1201A Iron)			



Main Electronic Supplies Ltd.

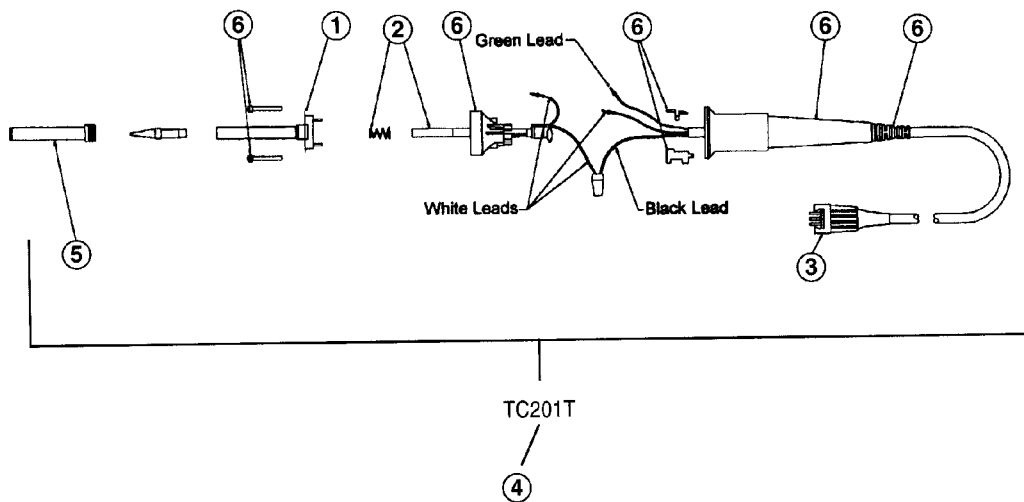
4554 Main Street Vancouver BC V5V 3R5
604-872-0267 Fax 604-872-0268

Electronic Parts Distributor to the Service Industry

WTCPT

Controlled Output Soldering Station (cont.)

Soldering Station



ITEM NO.	PART NO.	DESCRIPTION	ITEM NO.	PART NO.	DESCRIPTION
1	EC234	Heater Assembly			
2	SW60	Switch Assembly W/ Spring			
3	TC217	Cordset W/ Plug			
4	TC201T	Soldering Iron with PTA7 Tip			
5	BAG0	Barrel Nut Assembly			
6	EC282	Handle Assembly			