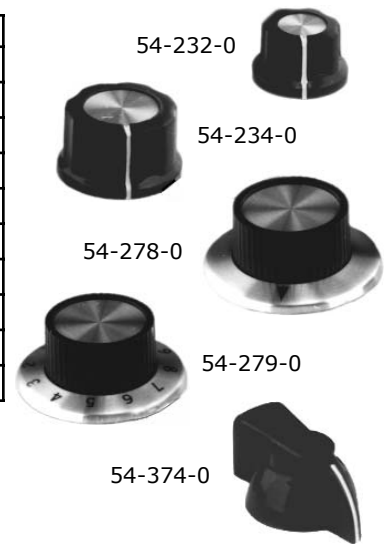
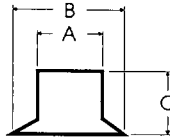




Part Number	A	B	C	Shaft
54-122-0	15mm	15mm	12mm	6.35mm
54-217-0	18mm	23mm	15mm	6.35mm
54-218-0	27mm	33mm	17mm	6.35mm
54-227-0	19mm	25mm	15mm	6.35mm
54-228-0	26mm	32mm	15mm	6.35mm
54-232-0	16mm	20mm	12mm	6.35mm
54-234-0	24mm	27mm	16mm	6.35mm
54-278-0	23mm	37mm	15mm	6.35mm
54-279-0	23mm	37mm	15mm	6.35mm
54-374-0	30mm	Pointer Knob		6.35mm



Use -2 for Display Package 6.35mm = 1/4"



Dimension Drawing

METRIC HARDWARE



Nickel plated round phillips head screws

2mm	2.6mm	3mm	4mm	Length
54-400-0	54-410-0	54-420-0	54-430-0	6mm
54-401-0	54-411-0	54-421-0	54-431-0	8mm
54-402-0	54-412-0	54-422-0	54-432-0	10mm
54-403-0	54-413-0	54-423-0	54-433-0	12mm
54-404-0	54-414-0	54-424-0	54-434-0	14mm
54-405-0	54-415-0	54-425-0	54-435-0	16mm

Nickel plated nuts



2mm	2.6mm	3mm	4mm
54-406-0	54-416-0	54-426-0	54-436-0



Nickel plated flat washers

2mm	2.6mm	3mm	4mm
54-407-0	54-417-0	54-427-0	54-437-0



Nickel plated split and internal star lockwashers



2mm	2.6mm	3mm	4mm	Type
54-408-0	54-418-0	54-428-0	54-438-0	Int. Star
54-409-0	54-419-0	54-429-0	54-439-0	Split



All hardware is available in bulk and attractive clear plastic re-useable display packages. The display packages contain 100 pieces and are designated with -100 after the part number. For example 54-400-100 specifies a display package of 100.

METRIC HARDWARE KITS



54-444-1

54-440-1 2mm Hardware Kit

Contains: 180 pieces of assorted 2mm screws, nuts, flat washers and lockwashers. Screws provided are 6, 8, 10 and 12mm lengths. In a clear polystyrene compartmented box. (not shown).

54-441-1 2.6mm Hardware Kit

Contains: 180 pieces of assorted 2.6mm screws, nuts, flat washers and lockwashers. Screws provided are 6, 8, 10 and 12mm lengths. In a clear polystyrene compartmented box. (not shown).

54-442-1 3mm Hardware Kit

Contains: 180 pieces of assorted 3mm screws, nuts, flat washers and lockwashers. Screws provided are 6, 8, 10 and 12mm lengths. In a clear polystyrene compartmented box. (not shown).

54-443-1 4mm Hardware Kit

Contains: 140 pieces of assorted 4mm screws, nuts, flat washers and lockwashers. Screws provided are 6, 8, 10 and 12mm lengths. In a clear polystyrene compartmented box. (not shown).

54-444-1. Comprehensive hardware assortment.

Contains: 1200 assorted pieces of 2, 2.6 and 3mm hardware in a durable 18 compartment polypropylene box (53-918-0).

ENGLISH/METRIC CONVERSIONS

LENGTH

Inch	X	25.40	=	Millimeters
Millimeters	X	0.03937	=	Inches
Feet	X	0.3048	=	Meters
Meters	X	3.281	=	Feet
Miles	X	1.609	=	Kilometers
Kilometers	X	0.6214	=	Miles

UNC Hardware on next page.



Nickel plated round phillips head screws.

UNC HARDWARE

2-56	4-40	6-32	8-32	10-32	Lgth
54-510-0	54-520-0	54-530-0	54-540-0		1/4"
		54-531-0	54-541-0		3/8"
54-512-0	54-522-0	54-532-0	54-542-0	54-552-0	1/2"
		54-533-0			5/8"
	54-524-0	54-534-0	54-544-0	54-554-0	3/4"

Nickel plated nuts



#2	#4	#6	#8	#10
54-516-0	54-526-0	54-536-0	54-546-0	54-556-0



Nickel plated flat washers

#2	#4	#6	#8	#10
54-517-0	54-527-0	54-537-0	54-547-0	54-557-0



Nickel plated internal star and split washers



#2	#4	#6	#8	#10	Type
54-518-0	54-528-0	54-538-0	54-548-0	54-558-0	Int. Star
54-519-0	54-529-0	54-539-0	54-549-0	54-559-0	Split

UNC HARDWARE KITS



55-565-1

54-561-1 2-56 Hardware assortment

Contains: 260 pieces of assorted 2-56 screws, nuts, flat washers and lock washers. Screw lengths provided are 1/4" and 1/2". In clear polystyrene box with 6 separate compartments. (not shown).

54-562-1 4-40 Hardware assortment

Contains: 220 pieces of assorted 4-40 screws, nuts, flat washers and lock washers. Screw lengths provided are 1/4", 1/2" and 3/4". In clear polystyrene box with 6 separate compartments. (not shown).

54-563-1 6-32 Hardware assortment

Contains: 220 pieces of assorted 6-32 screws, nuts, flat washers and lock washers. Screw lengths provided are 1/4", 3/8", 1/2", 5/8" and 3/4". In a clear polystyrene box with 6 separate compartments. (not shown).

54-564-1 8-32 Hardware assortment

Contains: 220 pieces of assorted 8-32 screws, nuts, flat washers and lock washers. Screw lengths provided are 1/4", 3/8", 1/2" and 3/4". In a clear polystyrene box with 6 separate compartments. (not shown).

54-565-1 Comprehensive hardware assortment.

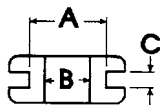
Contains: 1175 pieces of assorted 2-56, 4-40, 6-32, and 8-32 hardware. In a durable 18 compartment polypropylene box (53-918-0).

Packaged Hardware



All hardware is available in bulk and attractive clear plastic re-useable display packages. The display packages contain 100 pieces and are designated with **-100** after the part number. For example 54-400-100 specifies a display package of 100.

RUBBER GROMMETS



Bulk #	A	B	C
54-811-0	5/16"	3/16"	1/16"
54-814-0	3/8"	1/4"	1/16"
54-817-0	1/2"	3/8"	1/16"

Use -10 for Display Package

RUBBER FEET



54-865-0

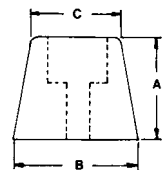


54-870-0



54-875-0

Bulk #	Pkg.	A	B	C
54-865-0	-8	7mm	19mm	15mm
54-870-0	-8	12mm	20mm	18mm
54-875-0	-4	16mm	25mm	21mm



Mounting hardware included.

ADHESIVE RUBBER FEET



54-880-0	Bulk	1/2" round .232" thick
54-880-24	Display Package	(24)
54-885-0	Bulk	1/2" square .232" thick
54-885-24	Display Package	(24)

Main Electronic Supplies Ltd.
4554 Main Street
Vancouver B.C. V5V 3R5 Canada
Phone: 604-872-0267
Fax: 604-872-0268
Toll Free: 1-800-972-6246
www.Mainelectronics.com