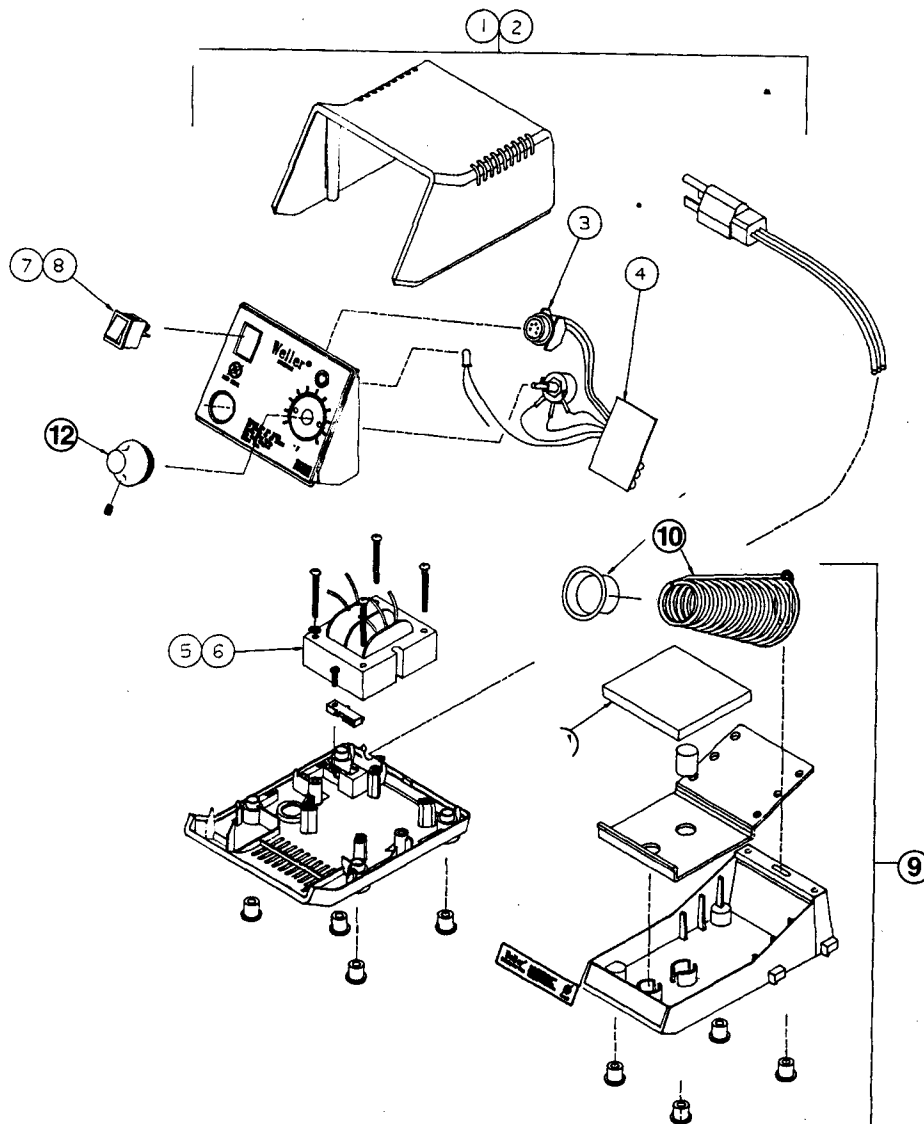


EC3001/EC3001ESD



Electronically Controlled Soldering Station



ITEM NO.	PART NO.	DESCRIPTION	ITEM NO.	PART NO.	DESCRIPTION
1	EC3002C/ESD	Power Unit F 120 Vac W/O Iron & Stand	11	TC205	Sponge
2	EC3002CD/ESD	Power Unit C 240 Vac W/O Iron & Stand	12	EC266	Knob Replacement (Calibration)
3	EC213	Receptable Kit			
4	EC235	Control Board			
5	TR227	Transformer 120 Vac			
6	N/A	Transformer 240 Va			
7	SW130	Switch 120 Vac			
8	N/A	Switch 240 Vac			
9	PH1301ESD	Iron Stand Assembly (EC1302A Iron)			
10	IHF225EC	Spring & Funnel Assembly (EC1302A)			