

MAIN ELECTRONIC SUPPLIES LTD

5mm SUPER POWER WATER CLEAR LED'S

KNIGHT LITES

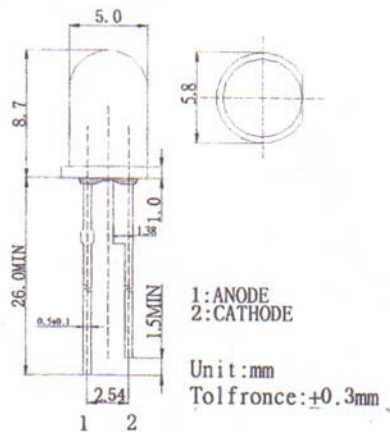
These 5mm Super Power Led's utilize a built-in heat sink construction that enables them to be driven up to 100mA. This added power coupled with very high output devices gives the user a light output that is **10 times** more powerful than the current high output Led's.

- * Superior Weather Resistant
- * UV Resistant Epoxy
- * Water Clear

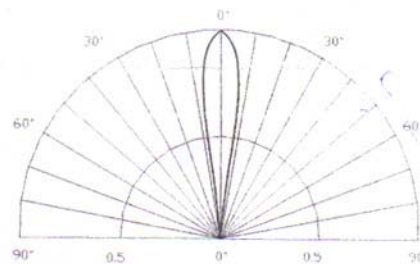
SPECIFICATIONS	KSB-1340	KSB-1358	KSB-1385	KSW-4295	KLL-5060A
COLOUR	GREEN	YELLOW	RED	WHITE	BLUE
DC Forward Current - mA	100	100	100	100	100
DC Forward Voltage - V	3.0 - 4.2	1.8 - 2.6	1.8 - 2.6	3.0 - 4.2	3.0 - 4.2
DC Reverse Current - uA	10	10	10	10	10
DC Reverse Voltage - V	5	5	5	5	5
Power Dissipation - mW	500	500	500	500	500
Dom. Wavelength - nm	525	585	625	.031 - 0.32	470
Operating Temp. - EC	-30 - +80	-30 - +80	-30 - +80	-30 - +80	-30 - +80
Luminous Intensity - mcd @ 20 mA @ 100 mA	10,000 - 15,000 40,000 - 70,000	6,000 - 8,000 30,000 - 60,000	6,000 - 8,000 30,000 - 60,000	6,000 - 8,000 30,000 - 60,000	2,500 - 3,500 10,000 - 15,000

NOTE: The above specifications are absolute maximum ratings. (Ta = 25 degrees C)

■ Outline Dimension



■ Directivity



4554 Main Street
Vancouver BC
V5V 3R5 Canada

PHONE (604) 872-0267
FAX (604) 872-0268
E-MAIL info@mainelectronics.com
WEB SITE <http://www.mainelectronics.com>