



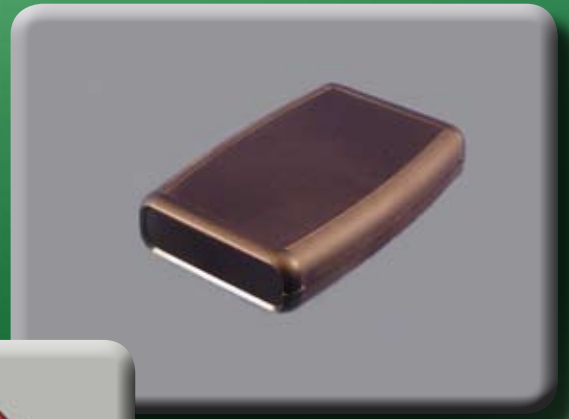
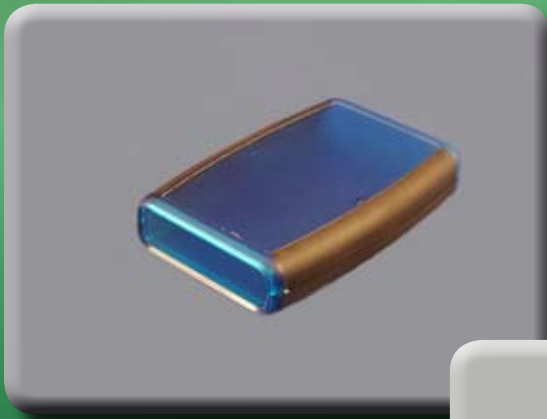
HAMMOND MANUFACTURING™

Main Electronic Supplies Ltd 4554 Main Street Vancouver BC V5V 3R5 Canada



www.mainelectronics.com info@mainelectronics.com

Electronic Enclosures



9C-05-SUPPLEMENT

New Products

CONTENTS

Plastic Enclosures

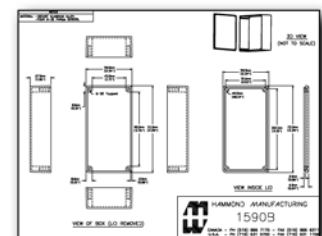
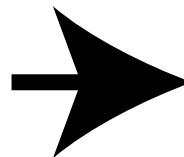
Pages: 1-22

Extruded Aluminum Enclosures

Pages: 23-25

NEED MORE INFORMATION?

For detailed drawings, CAD files and color photos visit our website at:
www.hammondmg.com



ABS Plastic - Soft Sided Hand Held (1553 Series)



KEY FEATURES

- Choice of two versions (with or without battery door and compartment) - in two sizes - in six color combinations.
- Molded in general purpose ABS plastic with a soft grey or black overmold soft plastic grip.
- Top cover is recessed for membrane display or keypad.
- P.C. board standoffs are molded into case.
- Includes removable front panel (for easy modifications) and assembly hardware.
- Battery door & compartment version includes 4 battery clips (for 2 - AA batteries) and a 9 volt (PP3) battery clip.
- Choice of five enclosure colors: light grey, black, red, yellow and translucent blue.
- Choice of two soft side grip colors (grey and black).

Part Number	Color	Soft Side Grip	Battery Door	Units	Dimensions			Max P.C. Board	
					Length	Width	Depth	Length	Width
1553BBK 1553BGY 1553BBKKBK 1553BTBUBK 1553BRDBK 1553BYLBK	Black Grey Black Translucent Blue Red Yellow	Grey Grey Black Black Black Black	No	inch mm	4.62 117	3.11 79	0.95 24	4.30 109	2.40 61
1553DBK 1553DGY 1553DBKKBK 1553DTBUBK 1553DRDBK 1553DYLBK	Black Grey Black Translucent Blue Red Yellow	Grey Grey Black Black Black Black	No	inch mm	5.8 147	3.5 89	0.98 24	5.48 139	2.65 67
1553BBKBAT 1553BGYBAT 1553BBKKBKBAT 1553BTBUBKBAT 1553BRDBKBAT 1553BYLBKBAT	Black Grey Black Translucent Blue Red Yellow	Grey Grey Black Black Black Black	Yes	inch mm	4.62 117	3.11 79	0.95 24	3.08 78	2.40 61
1553DBKBAT 1553DGYBAT 1553DBKKBKBAT 1553DTBUBKBAT 1553DRDBKBAT 1553DYLBKBAT	Black Grey Black Translucent Blue Red Yellow	Grey Grey Black Black Black Black	Yes	inch mm	5.8 147	3.5 89	0.98 24	4.21 107	2.65 67



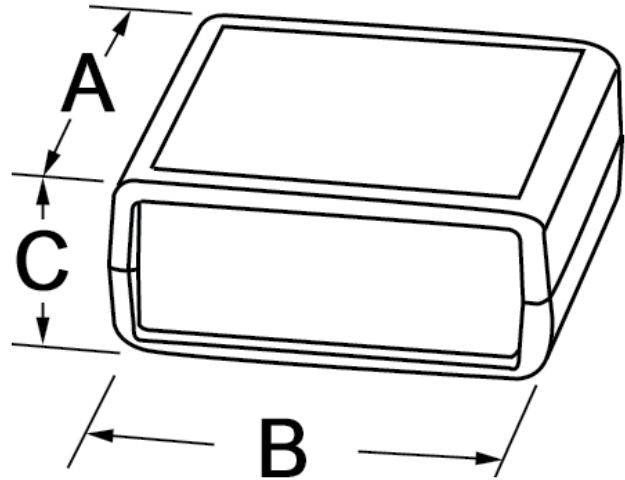
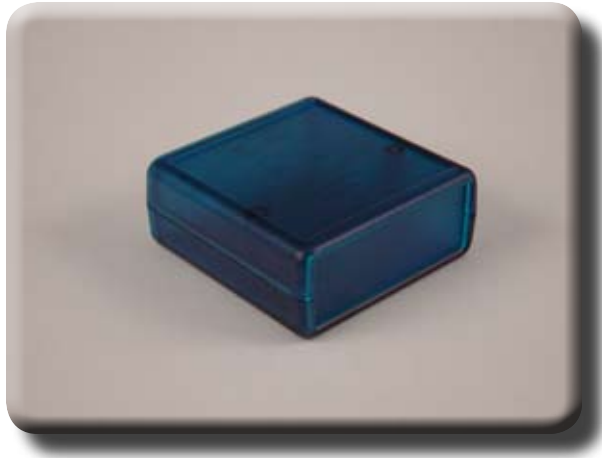
CANADA
Guelph, Ontario (519) 822-2960
St. Laurent, Quebec (514) 343-9010
USA
Cheektowaga, NY (716) 630-7030

www.hammondmfg.com

EUROPE
Basingstoke, UK 01256 812812

AUSTRALIA
Queenstown, Australia 61-8-8240-2244

ABS Plastic Hand Held (1593 Series)



KEY FEATURES

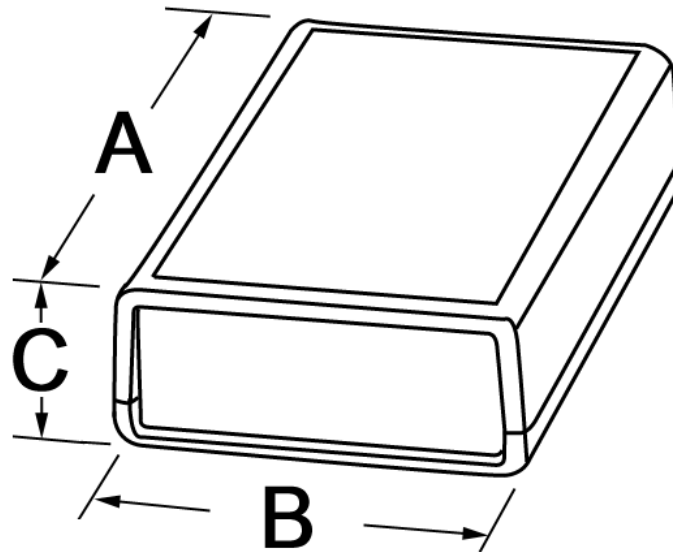
- Electronic instrument enclosures, ideally suited for mounting printed circuit boards.
- Ergonomically designed for a comfortable fit to the user's hand.
- Two piece lap joint construction provides protection against dust accumulation and splashing water.
- Molded in translucent blue ABS plastic (translucent to blue white and near white LEDs, readouts & displays).
- Unit is secured with self tapping screws.
- Recessed top for membrane display or pad.
- Four P.C. card standoffs molded in bottom.
- Removable front & rear panels for easy modification (or replace with optional IR panel) - sized to accept most popular connectors.

Part Number	Color	Removable Panels	Battery Door	Units	Dimensions		
					A Length	B Width	C Depth
1593KTBU	TransBlue	2	No	inch mm	2.6 66	2.6 66	1.1 28
1593LTBU	TransBlue	2	No	inch mm	3.6 92	2.6 66	1.1 28
1593NTBU	TransBlue	2	No	inch mm	4.3 110	2.9 75	1.0 25
1593XTBU	TransBlue	2	No	inch mm	5.5 140	2.6 66	1.1 28

NOTE: 1593N is designed to house the smart card readers.

NOTE: For original Grey and Black versions
see pages 26-29 of the 9C-05 catalog

ABS Plastic Hand Held (1593 Series)



KEY FEATURES

- Electronic instrument enclosures, ideally suited for mounting printed circuit boards.
- Ergonomically designed for a comfortable fit to the user's hand.
- Two piece lap joint construction provides protection against dust accumulation and splashing water.
- Molded in translucent blue ABS plastic (translucent to blue white and near white LEDs, readouts & displays).
- Unit is secured with self tapping screws.
- Recessed top for membrane display or pad.
- Four vertical P.C. card guides molded in.
- Long life battery door with our "three snap" location door.
- Four P.C. card standoffs molded in both halves.
- Removable front panel for easy modification (or replace with optional IR panel) - sized to accept most popular connectors.

Part Number	Color	Removable Panels	Battery Door	Dimensions			
				Units	A Length	B Width	C Depth
1593STBU	TransBlue	1	Yes	inch mm	3.6 92	2.6 66	0.83 21
1593PTBU	TransBlue	1	Yes	inch mm	3.6 92	2.6 66	1.1 28
1593TTBU	TransBlue	1	Yes	inch mm	4.4 112	2.6 66	0.83 21
1593QTBU	TransBlue	1	Yes	inch mm	4.4 112	2.6 66	1.1 28
1593YTBUE	TransBlue	1	Yes	inch mm	5.5 140	2.6 66	1.1 28

NOTE: Due to their low profile design, the 1593S & 1593T models will not accept batteries larger than AAA.

NOTE: For original Grey and Black versions see pages 26-29 of the 9C-05 catalog



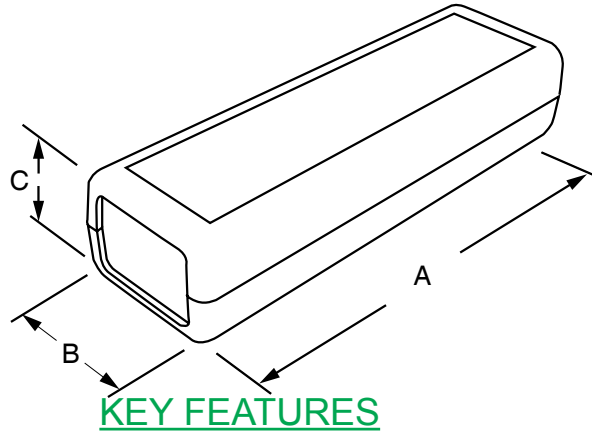
CANADA
Guelph, Ontario (519) 822-2960
St. Laurent, Quebec (514) 343-9010
USA
Cheektowaga, NY (716) 630-7030



EUROPE
Basingstoke, UK 01256 812812

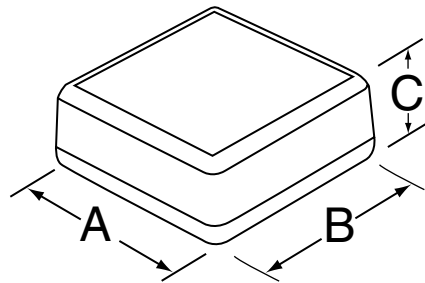
AUSTRALIA
Queenstown, Australia 61-8-8240-2244

ABS Plastic Hand Held (1593 Series)



- Electronic instrument enclosures, ideally suited for mounting printed circuit boards.
- Ergonomically designed for a comfortable fit to the user's hand.
- Two piece lap joint construction provides protection against dust accumulation and splashing water.
- Molded in translucent blue ABS plastic (translucent to blue white and near white LEDs, readouts & displays).
- Unit is secured with self tapping screws.
- Recessed top for membrane display or pad.

Part Number	Color	Removable Panels	Battery Door	Dimensions			
				Units	A Length	B Width	C Depth
1593DTBU	TransBlue	2	No	inch	4.5	1.4	1.0
				mm	114	36	25

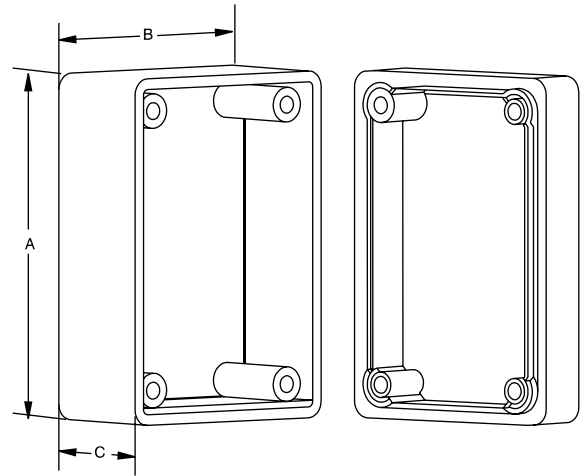
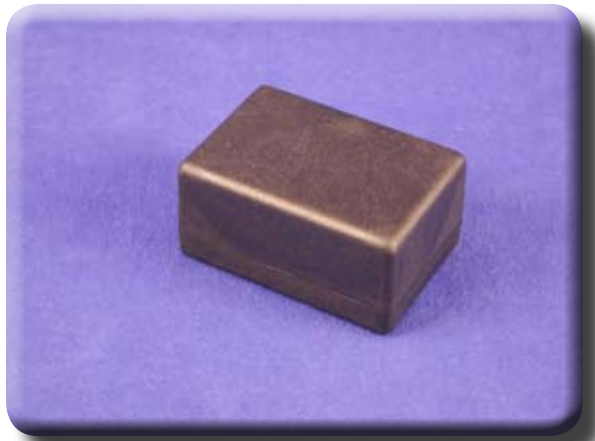


- Electronic instrument enclosures, ideally suited for mounting printed circuit boards.
- Ergonomically designed for a comfortable fit to the user's hand.
- Two piece lap joint construction provides protection against dust accumulation and splashing water.
- Molded in translucent blue ABS plastic (translucent to blue white and near white LEDs, readouts & displays).
- Unit is secured with self tapping screws.
- Recessed top for membrane display or pad.
- Four P.C. card standoffs molded in both halves.

Part Number	Color	Removable Panels	Battery Door	Dimensions			
				Units	A Length	B Width	C Depth
1593JTBU	TransBlue	0	No	inch	2.6	2.6	1.1
				mm	66	66	28



Thick Wall RFI - (1594 RFI Series)



KEY FEATURES

- Designed for EMI/RFI shielding applications - using conductive plastic (a compound of plastic and stainless steel fibers).
- Electronic instrument enclosures, ideally suited for mounting printed circuit boards.
- Thick wall design with an average wall thickness of .13" (3.3 mm).
- Molded from a compound of stainless steel fibers and flame retardant ABS plastic (carries a UL flammability rating of 94V-0).
- Designed to meet IP54.
- Countersunk lid is secured with four M3 x 0.5 - 0.71" (18 mm) long, Philips machine screws threaded into integrated brass bushings. Perfect for applications where repetitive assembly and disassembly are required.
- Black with matte textured finish.
- Material is brittle - acts like phenolic - NOT FOR HIGH IMPACT USE.
- Add 0.47" (12 mm) to enclosure depth for lid.

Part Number	Color	Units	Dimensions		
			A Length	B Width	C Depth
1594RFIABK	Black	inch mm	2.2 56	2.2 56	1.1 28
1594RFIBBK	Black	inch mm	3.2 81	2.2 56	1.1 28
1594RFICBK	Black	inch mm	4.1 105	2.6 66	1.3 33
1594RFIDBK	Black	inch mm	5.2 131	2.6 66	1.7 43
1594RFIEBK	Black	inch mm	6.6 167	4.2 107	2.1 53

SAFETY NOTES:

- Conductive plastic is NOT an insulator. These enclosures must be treated like a metal enclosure.
- Conductive plastic will act as a heating element - any significant current flow will cause the plastic to heat and produce smoke.



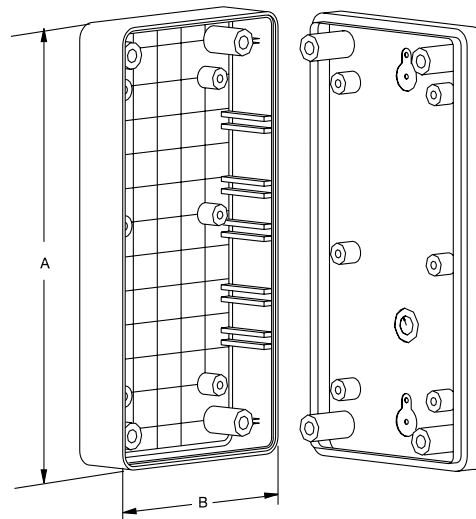
CANADA
Guelph, Ontario (519) 822-2960
St. Laurent, Quebec (514) 343-9010
USA
Cheektowaga, NY (716) 630-7030

www.hammondmfg.com

EUROPE
Basingstoke, UK 01256 812812

AUSTRALIA
Queenstown, Australia 61-8-8240-2244

RFI - Hand Held - (1599 RFI Series)



KEY FEATURES

- Designed for EMI/RFI shielding applications - using conductive plastic (a compound of plastic and stainless steel fibers).
- Attractively styled and ergonomically designed for use as a “hand-held” instrument enclosure.
- Molded from a compound of stainless steel fibers and flame retardant ABS plastic (carries a UL flammability rating of 94V-0).
- Recessed top for membrane display or pad.
- Lap joint construction provides protection against dust accumulation and splashing water.
- Extra deep top and ultra shallow base are specifically designed to enhance the aesthetics of the enclosure and provide the user with flexibility and assembly efficiency.
- Designed to meet IP54.
- NOTE: Material is brittle - acts like phenolic - NOT FOR HIGH IMPACT USE.
- Lid is secured with Philips machine screws, threaded into tapped integral brass bushings. Perfect for applications where repetitive assembly and disassembly are required.

Part Number	Battery Door	Units	A Length	B Width	Assembled Height
1599RFIBBK	No	inch mm	5.12 130	2.56 65	0.97 25
1599RFIBKBAT	Yes	inch mm	5.12 130	2.56 65	0.97 25
1599RFIEBK	No	inch mm	6.70 170	3.35 85	1.33 34
1599RFIEKBAT	Yes	inch mm	6.70 170	3.35 85	1.33 34
1599RFIHBK	No	inch mm	8.66 220	4.33 110	1.73 44
1599RFIHBKBAT	Yes	inch mm	8.66 220	4.33 110	1.73 44
1599RFIKBK	No	inch mm	8.66 220	5.50 140	1.60 40.5
1599RFIKKBAT	Yes	inch mm	8.66 220	5.50 140	1.60 40.5

SAFETY NOTES:

- Conductive plastic is NOT an insulator. These enclosures must be treated like a metal enclosure.
- Conductive plastic will act as a heating element - any significant current flow will cause the plastic to heat and produce smoke.

Hand Held - Plastic Enclosures (Clipper Series)



KEY FEATURES

- The Clipper series is a British designed hand held enclosure (originally sold under the West Hyde Enclosures Ltd. name).
- Ideally suited for mounting small printed circuit boards for use in hand held applications.
- Molded in a choice of black (RAL 9005) or grey (RAL 9018) - flame retardant ABS plastic.
- Satin texture finish.
- Complete with top & bottom, removable front panel, battery door (except on the smallest size) and three self tapping screws.
- The top panel has a flat display area, perfect for labels, silk screening, membrane keypads or easily machined.
- The base is molded with bosses for easy P.C. board mounting.
- The removable end panel is securely clamped by the two box halves and easily customized or replaced by an infrared panel.
- Battery compartment has an easily removable cover which also covers one of the three assembly screws.
- Battery compartment (except on the smallest size) suitable for a 9V (PP3) battery.
- Screws are color matched to enclosure (nickel plated screws with grey enclosures and black plated with black enclosures).
- P.C. board standoffs molded into interior.
- Lap joint construction provides protection against access of dust and splashing water.

Part Number		Battery Door	Units	Length	Width	Depth
Black	Grey					
001100	001111	No	inch mm	1.57 40	2.36 60	0.73 18.5
001102	001113	Yes	inch mm	3.35 85	2.36 60	0.87 22
001104	001115	Yes	inch mm	4.13 105	2.36 60	0.87 22
001106	001117	Yes	inch mm	4.92 125	2.76 70	0.87 22



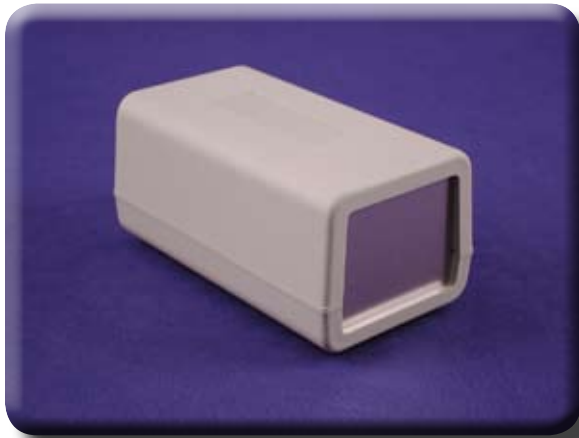
CANADA
Guelph, Ontario (519) 822-2960
St. Laurent, Quebec (514) 343-9010
USA
Cheektowaga, NY (716) 630-7030

www.hammondmfg.com

EUROPE
Basingstoke, UK 01256 812812

AUSTRALIA
Queenstown, Australia 61-8-8240-2244

Plastic Bench Case Enclosures (1210 Series)

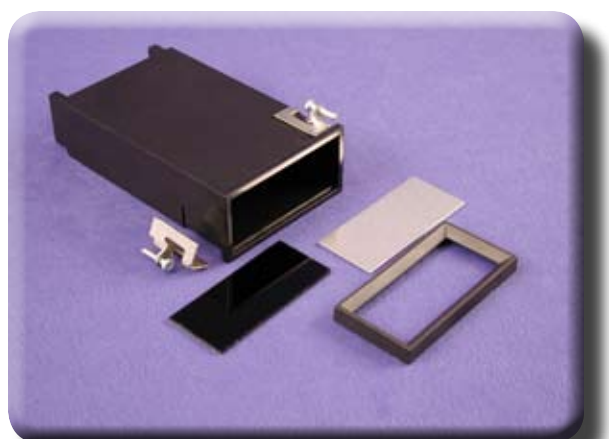


KEY FEATURES

- The Bench Case is a British designed plastic enclosure.
- Ideally suited for mounting printed circuit boards for use in bench top applications.
- Molded in a choice of black (RAL 9005) or grey (RAL 9018) - flame retardant ABS plastic.
- Satin texture finish.
- Complete with plastic top & bottom, removable aluminum front panel, four rubber self adhesive feet and four self tapping screws.
- The top panel & bottom halves include a flat display area, perfect for labels or silk screening.
- The base is molded with six bosses for easy P.C. board mounting.
- The removable 1.5 mm thick aluminum end pane is securely clamped by the two box halves and easily customized.
- Hole in rear of enclosure for easy cord access.

Part Number		Units	Length	Width	Height
Black	Grey				
1210BK	1210GY	inch mm	5.20 132	2.96 75	2.44 62

Panel Mounted DIN Enclosures (1212-1216 Series)



KEY FEATURES

- Perfect for enclosing instruments or P.C. boards that need to be panel mounted.
- Molded in black (RAL 9005) flame retardant ABS plastic.
- Conforms with DIN 43700.
- Molded guides for two horizontally mounted P.C. boards (1.6 mm thick).
- Includes two front panels - choose between natural aluminum panel or grey tinted acrylic filter panel.
- Complete with plastic bezel and two metal panel mounting clamps with screws.

Part Number	Color	Units	Length	Width	Height
1212	Black	inch mm	4.72 120	2.83 72	1.42 36
1214	Black	inch mm	2.95 75	3.78 96	1.89 48
1216	Black	inch mm	4.72 120	3.78 96	1.89 48



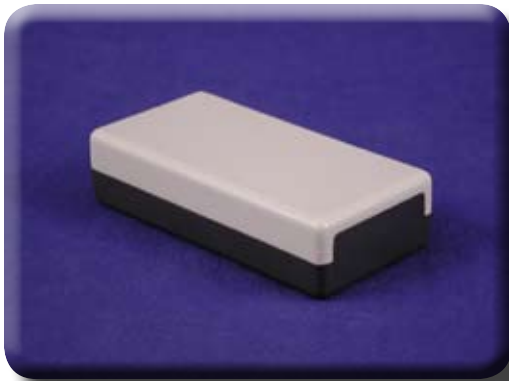
CANADA
Guelph, Ontario (519) 822-2960
St. Laurent, Quebec (514) 343-9010
USA
Cheektowaga, NY (716) 630-7030

www.hammondmfg.com

EUROPE
Basingstoke, UK 01256 812812

AUSTRALIA
Queenstown, Australia 61-8-8240-2244

Two Piece - Fixed Panel Plastic Enclosures (MB)

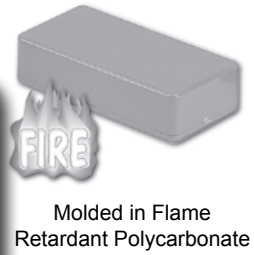
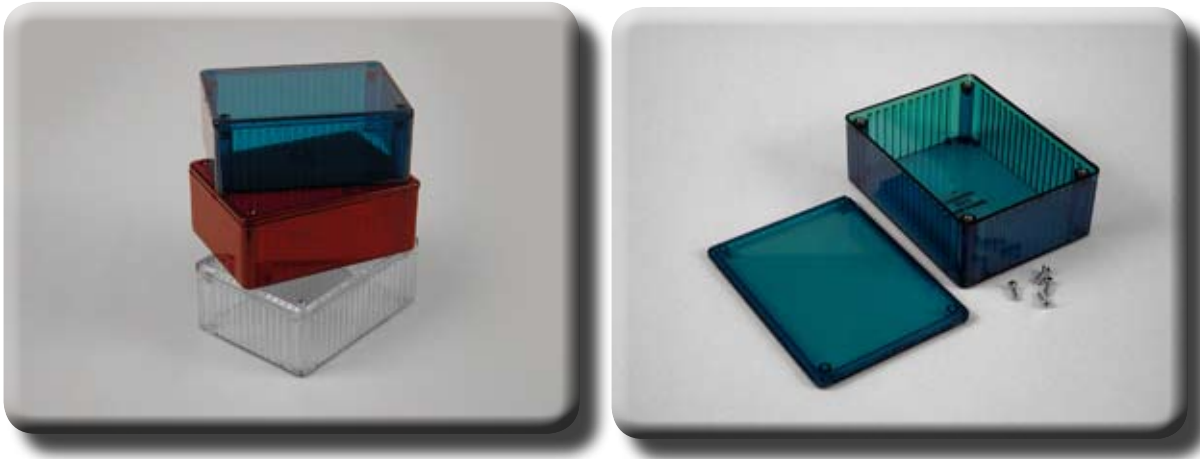


KEY FEATURES

- Rugged electronic instrument enclosures, ideally suited for mounting printed circuit boards for hand-held, desktop or wall mount applications.
- Molded in polystyrene plastic.
- Designed to meet IP54.
- Assembled with four M3 x 0.5" (13 mm) Philips machine screws (included) threaded into integral brass bushings. Perfect for applications where repetitive assembly and disassembly are required. Screws are hidden in a recess in the base.
- Includes four self tapping screws for internal standoffs.
- Lid is a smooth light grey (RAL 7035) and the bottom is a smooth dark grey (RAL 7012).

Part Number	Ventilated Lid	Units	Outside Dimensions			Internal Dimensions		
			Length	Width	Depth	Length	Width	Depth
MB655030	No	inch mm	2.56 65	1.97 50	1.18 30	1.93 49	1.73 44	0.94 24
MB655045	No	inch mm	2.56 65	1.97 50	1.77 45	1.93 49	1.73 44	1.54 39
MB105025	No	inch mm	3.94 100	1.97 50	0.98 25	3.78 94	1.73 44	0.75 19
MB105040	No	inch mm	3.94 100	1.97 50	1.57 40	3.78 96	1.73 44	1.34 34
MB105040VL	Yes	inch mm	3.94 100	1.97 50	1.57 40	3.78 96	1.73 44	1.34 34
MB126540	No	inch mm	4.72 120	2.56 65	1.57 40	4.49 114	2.32 59	1.34 34
MB126540VL	Yes	inch mm	4.72 120	2.56 65	1.57 40	4.49 114	2.32 59	1.34 34
MB126565	No	inch mm	4.72 120	2.56 65	2.56 65	4.49 114	2.32 59	2.32 59
MB158055	No	inch mm	5.91 150	3.15 80	2.17 55	5.67 144	2.91 74	1.97 50
MB158055VL	Yes	inch mm	5.91 150	3.15 80	2.17 55	5.67 144	2.91 74	1.97 50
MB158080	No	inch mm	5.91 150	3.15 80	3.15 80	5.67 144	2.91 74	2.91 74
MB181160	No	inch mm	7.40 188	4.33 110	2.36 60	7.17 182	4.09 104	2.13 54
MB181170	No	inch mm	7.40 188	4.33 110	2.76 70	7.17 182	4.09 104	2.52 64
MB181170VL	Yes	inch mm	7.40 188	4.33 110	2.76 70	7.17 182	4.09 104	2.52 64
MB181110	No	inch mm	7.40 188	4.33 110	3.94 100	7.17 182	4.09 104	3.70 94
MB181112	No	inch mm	7.40 188	4.33 110	4.72 120	7.17 182	4.09 104	4.49 114

Translucent Polycarbonate (1591 Series)



KEY FEATURES

- Ideally suited for mounting printed circuit boards.
- Perfect for applications where parts, sensors or indicators need to be visible.
- Ice Blue version is almost totally transparent to blue, white and near white LEDs, readouts & displays.
- Crystal Clear version is almost totally transparent.
- IR Red version is almost totally transparent to infrared devices.
- Integral card guides accept 1.5 mm (0.062") P.C. cards.
- Lap joint construction provides protection against access of dust and splashing water.
- Designed to meet IP54.
- Molded from flame retardant, easy to machine, translucent polycarbonate (material carries a UL flammability rating of 94V-0).
- Lid is secured with M3 x 10 mm Philips machine screws, threaded into integral brass bushings.

Part Number	Color	Units	Dimensions		
			Length	Width	Depth (NoLid)
1591STBU	Ice Blue	inch	4.3	3.2	1.6
1591STRD	Ir Red	mm	110	82	40
1591STCL	Crystal Clear				

NOTE: For original 5 sizes and accessories, see page 12 of the 9C-05 catalog.



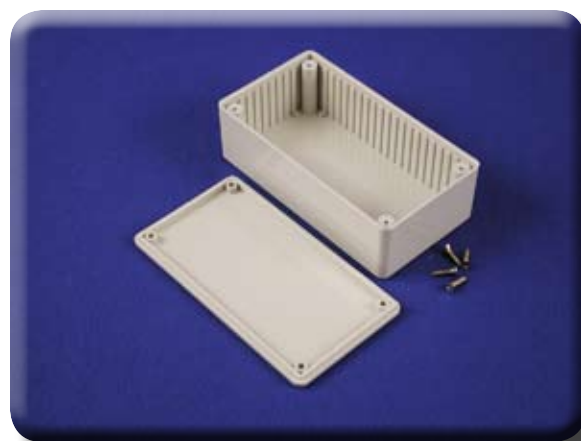
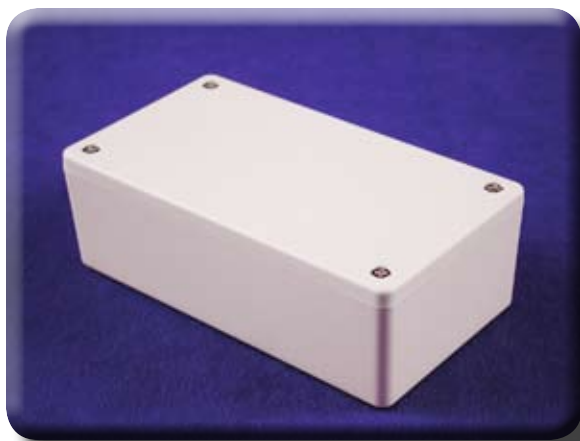
CANADA
Guelph, Ontario (519) 822-2960
St. Laurent, Quebec (514) 343-9010
USA
Cheektowaga, NY (716) 630-7030

www.hammondmfg.com

EUROPE
Basingstoke, UK 01256 812812

AUSTRALIA
Queenstown, Australia 61-8-8240-2244

Multipurpose - Economical (1591 Series)



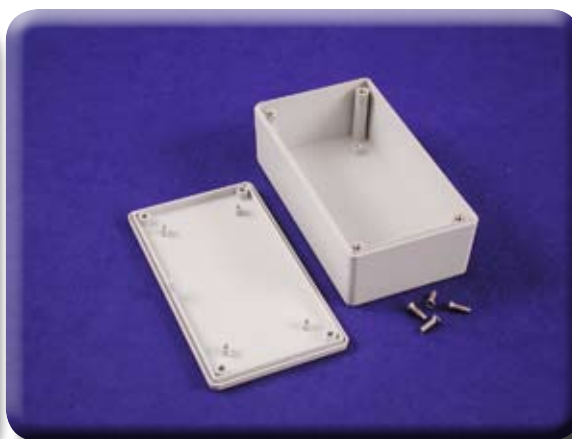
KEY FEATURES

- Electronic instrument enclosures, designed for mounting printed circuit boards.
- Integral card guides accept 1.5 mm (0.062") P.C. cards.
- Lap joint construction provides protection against access of dust and splashing water.
- Designed to meet IP54.
- Molded in economical grey plastic.
- Lid is secured with black anodized self-tapping #4 x 0.5" Philips screws.

Part Number	Color	Units	Dimensions		
			Length	Width	Depth (No Lid)
1591MSGY	Grey	inch mm	3.3 85	2.2 56	0.8 21
1591LSGY	Grey	inch mm	3.3 85	2.2 56	1.4 35
1591ASGY	Grey	inch mm	3.9 100	2.0 50	0.8 21
1591SSGY	Grey	inch mm	4.3 110	3.2 82	1.6 40
1591BSGY	Grey	inch mm	4.4 112	2.4 62	1.1 27
1591CSGY	Grey	inch mm	4.7 120	2.6 65	1.4 36
1591TSGY	Grey	inch mm	4.7 120	3.2 80	2.2 55
1591USGY	Grey	inch mm	4.7 120	4.7 120	2.2 55
1591VSGY	Grey	inch mm	4.7 120	4.7 120	3.5 90
1591GSGY	Grey	inch mm	4.8 121	3.7 94	1.2 30
1591DSGY	Grey	inch mm	5.9 150	3.2 80	1.8 46
1591HSGY	Grey	inch mm	6.5 165	2.8 71	1.0 25
1591ESGY	Grey	inch mm	7.5 191	4.3 110	2.2 57

NOTE: For original black version,
see page 16 of the 9C-05 catalog.

Multipurpose Plastic Enclosures (1591 XX Series)



Molded in Flame Retardant ABS

KEY FEATURES

- Ideally suited for mounting printed circuit boards horizontally.
- Internal sides of enclosure are smooth for easy connector installation except for the largest enclosure (the 1591XXF size) which is a universal type (i.e... includes P.C. board standoffs in the lid and enclosure PLUS includes card guides).
- Strong tongue and groove lid to box construction provides protection against access of dust and splashing water.
- Designed to meet IP54.
- Lid and box both contain molded P.C. board standoffs.
- Molded from easy to machine, flame retardant ABS plastic (material carries a UL flammability rating of 94V-0).
- Stocked in satin texture black or grey.
- Lid is secured with M3 x 10 mm Philips machine screws, threaded into integral brass bushings. Perfect for applications where repetitive assembly and disassembly are required.
- Black enclosures include black screws, grey enclosures include nickel finish screws.

Part Number		Units	Length	Width	Depth
Black	Grey				
1591XXLBK	1591XXLGY	inch mm	3.4 87	2.2 57	1.4 36
1591XXABK	1591XXAGY	inch mm	3.9 100	2.0 51	0.8 22
1591XXBBK	1591XXBGY	inch mm	4.4 113	2.5 63	1.1 28
1591XXCBK	1591XXCGY	inch mm	4.7 121	2.6 66	1.4 37
1591XXTBK	1591XXTGY	inch mm	4.8 123	3.2 83	2.2 56
1591XXDBK	1591XXDGY	inch mm	6.0 152	3.2 82	1.8 47
1591XXEBK	1591XXEGY	inch mm	7.6 193	4.4 113	2.2 58
1591XXFBK	1591XXFGY	inch mm	8.7 221	5.9 150	2.3 60



CANADA
Guelph, Ontario (519) 822-2960
St. Laurent, Quebec (514) 343-9010
USA
Cheektowaga, NY (716) 630-7030

www.hammondmfg.com

EUROPE
Basingstoke, UK 01256 812812

AUSTRALIA
Queenstown, Australia 61-8-8240-2244

Multipurpose Plastic Enclosures (1591 XX “TBU”Series)



KEY FEATURES

- Ideally suited for mounting printed circuit boards horizontally.
- Molded in translucent blue ABS plastic (translucent to blue, white and near white LEDs, readouts & displays).
- Internal sides of enclosure are smooth for easy connector installation.
- Strong tongue and groove lid to box construction provides protection against access of dust and splashing water.
- Designed to meet IP54.
- Lid and box both contain molded P.C. board standoffs.
- Molded from easy to machine, translucent blue ABS plastic, with a satin texture.
- Lid is secured with M3 x 10 mm black Philips machine screws, threaded into integral brass bushings. Perfect for applications where repetitive assembly and disassembly are required.

Part Number	Color	Units	Length	Width	Depth
1591XXLTBU	TransBlue	inch mm	3.4 87	2.2 57	1.4 36
1591XXATBU	TransBlue	inch mm	3.9 100	2.0 51	0.8 22
1591XXBTBU	TransBlue	inch mm	4.4 113	2.5 63	1.1 28
1591XXCTBU	TransBlue	inch mm	4.7 121	2.6 66	1.4 37
1591XXTTBU	TransBlue	inch mm	4.8 123	3.2 83	2.2 56
1591XXDTBU	TransBlue	inch mm	6.0 152	3.2 82	1.8 47
1591XXETBU	TransBlue	inch mm	7.6 193	4.4 113	2.2 58

Multipurpose Plastic Enclosures (1591 XXFL Series)



Molded in Flame Retardant ABS

KEY FEATURES

- Ideally suited for mounting printed circuit boards horizontally.
- Flanged lid is perfect for wall or shelf mounting and enclosure security.
- Internal sides of enclosure are smooth for easy connector installation - except for the largest enclosure (the 1591XXFFL size) which is a universal type (i.e..includes P.C. board standoffs in the lid and enclosure PLUS includes card guides).
- Strong tongue and groove lid to box construction provides protection against access of dust and splashing water.
- Designed to meet IP54.
- Lid and box both contain molded P.C. board standoffs.
- Molded from easy to machine, flame retardant ABS plastic (material carries a UL flammability rating of 94V-0).
- Stocked in satin texture black or grey.
- Lid is secured with M3 x 10 mm Philips machine screws, threaded into integral brass bushings. Perfect for applications where repetitive assembly and disassembly are required.
- Black enclosures include black screws, grey enclosures include nickel finish screws.

Part Number		Units	Length	Width	Depth
Black	Grey				
1591XXLFLBK	1591XXLFLGY	inch mm	3.4 87	2.2 57	1.4 36
1591XXAFLBK	1591XXAFLGY	inch mm	3.9 100	2.0 51	0.8 22
1591XXBFLBK	1591XXBFLGY	inch mm	4.4 113	2.5 63	1.1 28
1591XXCFLBK	1591XXCFLGY	inch mm	4.7 121	2.6 66	1.4 37
1591XXTFLBK	1591XXTFLGY	inch mm	4.8 123	3.2 83	2.2 56
1591XXDFLBK	1591XXDFLGY	inch mm	6.0 152	3.2 82	1.8 47
1591XXEFLBK	1591XXEFLGY	inch mm	7.6 193	4.4 113	2.2 58
1591XXFFLBK	1591XXFFLGY	inch mm	8.7 221	5.9 150	2.3 60



CANADA
Guelph, Ontario (519) 822-2960
St. Laurent, Quebec (514) 343-9010
USA
Cheektowaga, NY (716) 630-7030

www.hammondmfg.com

EUROPE
Basingstoke, UK 01256 812812

AUSTRALIA
Queenstown, Australia 61-8-8240-2244

Multipurpose Plastic Enclosures (1591 XX "S" Series)



KEY FEATURES

- Ideally suited for mounting printed circuit boards horizontally.
- Flanged lid is perfect for wall or shelf mounting and enclosure security.
- Internal sides of enclosure are smooth for easy connector installation except for the largest enclosure (the 1591XXFSFLBK size) which is a universal type (i.e..includes P.C. board standoffs in the lid and enclosure PLUS includes card guides).
- Strong tongue and groove lid to box construction provides protection against access of dust and splashing water.
- Designed to meet IP54.
- Lid and box both contain molded P.C. board standoffs.
- Molded from easy to machine, economical black plastic, with a satin texture.
- Lid is secured with black self-tapping #4 x 0.5" Philips screws.

Part Number	Color	Units	Length	Width	Depth
1591XXLSFLBK	Black	inch mm	3.4 87	2.2 57	1.4 36
1591XXASFLBK	Black	inch mm	3.9 100	2.0 51	0.8 22
1591XXBSFLBK	Black	inch mm	4.4 113	2.5 63	1.1 28
1591XXCSFLBK	Black	inch mm	4.7 121	2.6 66	1.4 37
1591XXTSFLBK	Black	inch mm	4.8 123	3.2 83	2.2 56
1591XXDSFLBK	Black	inch mm	6.0 152	3.2 82	1.8 47
1591XXESFLBK	Black	inch mm	7.6 193	4.4 113	2.2 58
1591XXFSFLBK	Black	inch mm	8.7 221	5.9 150	2.3 60

Miniature Hand Held Plastic Enclosures (1551 Series)



KEY FEATURES

- Ideally suited for mounting small printed circuit boards or used as potting boxes.
- Molded in a choice of black or grey general purpose ABS plastic.
- Satin texture finish.
- Complete with lid and two self tapping screws.
- Screws are color matched to enclosure (nickel plated screws with grey enclosures and black plated with black enclosures).
- 2 P.C. board standoffs molded into interior.
- Lap joint construction provides protection against access of dust and splashing water.
- Designed to meet IP54.

Part Number		Units	Length	Width	Depth (w/Lid)
Black	Grey				
1551NBK	1551NGY	inch mm	1.38 35	1.38 35	0.59 15
1551MBK	1551MGY	inch mm	1.38 35	1.38 35	0.79 20
1551QBK	1551QGY	inch mm	1.58 40	1.58 40	0.59 15
1551PBK	1551PGY	inch mm	1.58 40	1.58 40	0.79 20
1551FBK	1551FGY	inch mm	1.97 50	1.38 35	0.59 15
1551SBK	1551SGY	inch mm	1.97 50	1.97 50	0.59 15
1551RBK	1551RGY	inch mm	1.97 50	1.97 50	0.79 20
1551JBK	1551JGY	inch mm	2.36 60	1.38 35	0.59 15
1551LBK	1551LGY	inch mm	3.15 80	1.58 40	0.59 15

NOTE: For original 3 sizes and accessories,
see page 10 of the 9C-05 catalog.



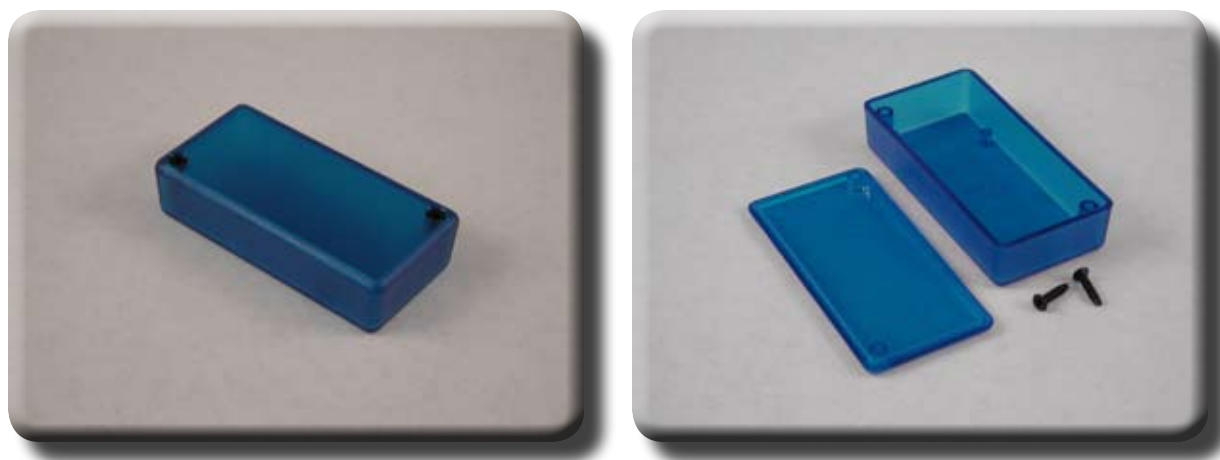
CANADA
Guelph, Ontario (519) 822-2960
St. Laurent, Quebec (514) 343-9010
USA
Cheektowaga, NY (716) 630-7030

www.hammondmfg.com

EUROPE
Basingstoke, UK 01256 812812

AUSTRALIA
Queenstown, Australia 61-8-8240-2244

Miniature Hand Held - Plastic Enclosures (1551 TBU)



KEY FEATURES

- Ideally suited for mounting small printed circuit boards or used as potting boxes.
- Molded in translucent blue ABS plastic (translucent to blue, white and near white LEDs, readouts & displays).
- Satin texture finish.
- Complete with lid and two self tapping black plated screws.
- 2 P.C. board standoffs molded into interior.
- Lap joint construction provides protection against access of dust and splashing water.
- Designed to meet IP54.

Part Number	Color	Units	Length	Width	Depth
1551NTBU	TransBlue	inch mm	1.38 35	1.38 35	0.59 15
1551MTBU	TransBlue	inch mm	1.38 35	1.38 35	0.79 20
1551QTBU	TransBlue	inch mm	1.58 40	1.58 40	0.59 15
1551PTBU	TransBlue	inch mm	1.58 40	1.58 40	0.79 20
1551FTBU	TransBlue	inch mm	1.97 50	1.38 35	0.59 15
1551GTBU	TransBlue	inch mm	1.97 50	1.38 35	0.79 20
1551STBU	TransBlue	inch mm	1.97 50	1.97 50	0.59 15
1551RTBU	TransBlue	inch mm	1.97 50	1.97 50	0.79 20
1551JTBU	TransBlue	inch mm	2.36 60	1.38 35	0.59 15
1551HTBU	TransBlue	inch mm	2.36 60	1.38 35	0.79 20
1551LTBU	TransBlue	inch mm	3.15 80	1.58 40	0.59 15
1551KTBU	TransBlue	inch mm	3.15 80	1.58 40	0.79 20

Miniature Flanged Lid Plastic Enclosures (1551 FL Series)



KEY FEATURES

- Ideally suited for mounting small printed circuit boards or used as potting boxes.
- Same enclosure sizes as our 1551 series except with a flanged lid.
- Flanged lid is perfect for wall or shelf mounting or suspending with a tie wrap.
- Molded in a choice of black or grey general purpose ABS plastic.
- Satin texture finish.
- Complete with lid and two self tapping screws.
- Screws are color matched to enclosure (nickel plated screws with grey enclosures and black plated with black enclosures).
- 2 P.C. board standoffs molded into interior.
- Lap joint construction provides protection against access of dust and splashing water.
- Designed to meet IP54.

Part Number		Units	Length	Width	Depth
Black	Grey				
1551NFLBK	1551NFLGY	inch mm	1.38 35	1.38 35	0.59 15
1551MFLBK	1551MFLGY	inch mm	1.38 35	1.38 35	0.79 20
1551QFLBK	1551QFLGY	inch mm	1.58 40	1.58 40	0.59 15
1551PFLBK	1551PFLGY	inch mm	1.58 40	1.58 40	0.79 20
1551FFLBK	1551FFLGY	inch mm	1.97 50	1.38 35	0.59 15
1551GFLBK	1551GFLGY	inch mm	1.97 50	1.38 35	0.79 20
1551SFLBK	1551SFLGY	inch mm	1.97 50	1.97 50	0.59 15
1551RFLBK	1551RFLGY	inch mm	1.97 50	1.97 50	0.79 20
1551JFLBK	1551JFLGY	inch mm	2.36 60	1.38 35	0.59 15
1551HFLBK	1551HFLGY	inch mm	2.36 60	1.38 35	0.79 20
1551LFLBK	1551LFLGY	inch mm	3.15 80	1.58 40	0.59 15
1551KFLBK	1551KFLGY	inch mm	3.15 80	1.58 40	0.79 20



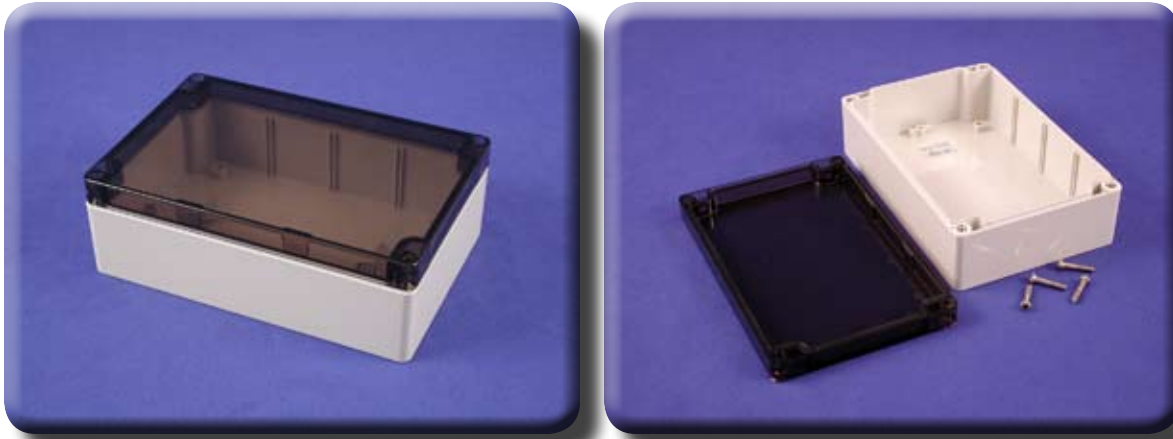
CANADA
Guelph, Ontario (519) 822-2960
St. Laurent, Quebec (514) 343-9010
USA
Cheektowaga, NY (716) 630-7030

www.hammondmfg.com

EUROPE
Basingstoke, UK 01256 812812

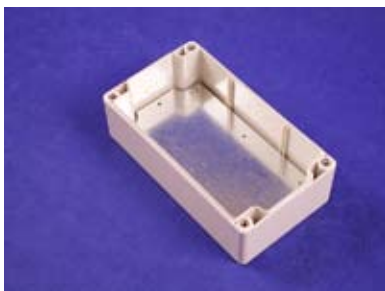
AUSTRALIA
Queenstown, Australia 61-8-8240-2244

Watertight Smoked Lid - (1554 Series)



KEY FEATURES

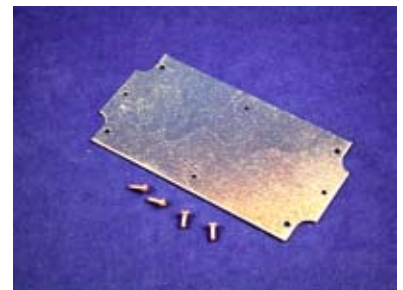
- Electronic instrument enclosures, designed for mounting printed circuit boards or DIN rail mounted components.
- Smoked polycarbonate lid allows for visibility of protected internal components with a more modern look than our clear lid version.
- Molded in polycarbonate material which carries a UL flammability rating of UL94 5V and is suitable for outdoor use.
- Color is light gray (RAL 7035).
- Gasketed lid with two piece “tongue & groove” construction provides protection against access of oil, dust and water.
- Designed to meet IP66 & NEMA 4, 4X, 12 & 13 ratings.
- Gasket is factory poured using high temperature U.L. listed - silicone rubber gasket material.
- Lid is secured with self captivating M4 stainless steel machine screws (included), threaded into integral stainless steel bushings (for repetitive assembly & disassembly).
- All stainless steel hardware to avoid corrosion caused by dissimilar metals.
- Lid and mounting holes are located outside of the gasket seal.
- Heavy duty 16 gauge galvanized steel panels available (see chart).
- Internal features are maximized for mounting options:
 - Internal DIN rail mounting tabs molded in all except the 1554C2GYSL.
 - Threaded (M3) integral brass inserts & standoffs designed for M3.5 or #6 self tapping screws for P.C. board or inner panel mounting in all but the smallest size (1554B2GYSL).
 - Vertical P.C. card guides (for 1.5 mm thick P.C. boards) are molded in all but the smallest size (1554B2GYSL).



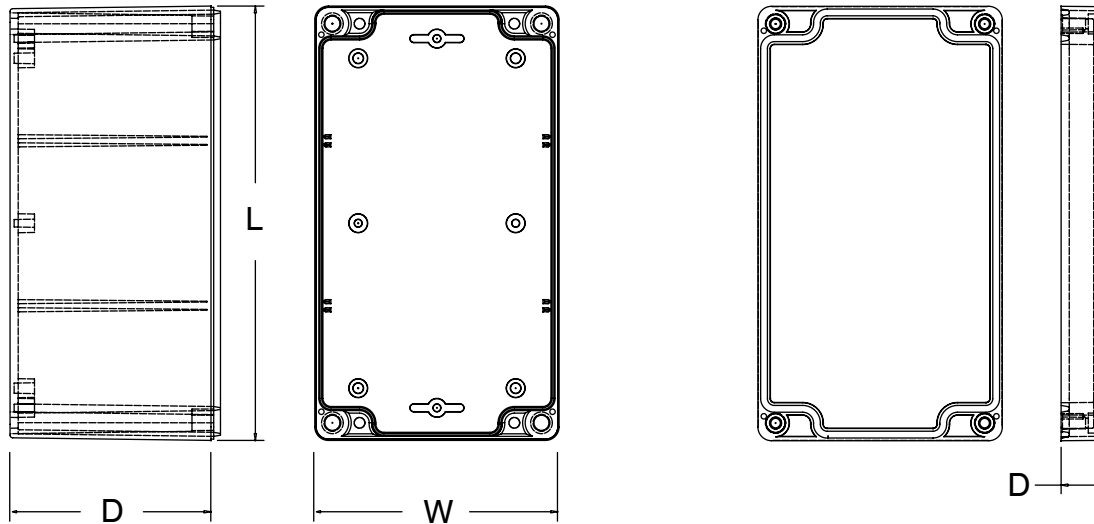
ACCESSORIES

Panels

Heavy duty panel for mounting components. Galvanized 16 ga. steel. Includes mounting hardware. See table (facing page) for part numbers.



Watertight Smoked Lid - (1554 Series)



Part Number	Units	Dimensions					Optional Inner Panel Part Number	Units	Dimensions	
		Length (L)	Width (W)	Overall Depth (D)					Length	Width
				Assembled	Box	Lid				
1554B2GYSL	inch mm	2.6 65	2.6 65	1.6 40	.98 25	.59 15	1554BPL	inch mm	2.2 56	2.2 59
1554E2GYSL	inch mm	3.5 90	3.5 90	2.4 60	1.77 45	.59 15	1554EPL	inch mm	3.1 79	3.1 79
1554C2GYSL	inch mm	4.7 120	2.6 65	1.6 40	.98 25	.59 15	1554CPL	inch mm	4.4 112	2.1 53
1554D2GYSL	inch mm	4.7 120	2.6 65	2.4 60	1.77 45	.59 15	1554CPL	inch mm	4.4 112	2.1 53
1554F2GYSL	inch mm	4.7 120	3.5 90	2.4 60	1.77 45	.59 15	1554FPL	inch mm	4.3 109	3.1 79
1554G2GYSL	inch mm	4.7 120	3.5 90	3.2 80	2.56 65	.59 15	1554FPL	inch mm	4.3 109	3.1 79
1554N2GYSL	inch mm	4.7 120	4.7 120	2.4 60	1.77 45	.59 15	1554NPL	inch mm	4.25 108	4.2 107
1554P2GYSL	inch mm	4.7 120	4.7 120	3.15 80	2.56 65	.59 15	1554NPL	inch mm	4.25 108	4.2 107
1554J2GYSL	inch mm	6.3 160	3.5 90	2.4 60	1.77 45	.59 15	1554JPL	inch mm	5.8 147	3.0 76
1554K2GYSL	inch mm	6.3 160	3.5 90	3.5 90	2.95 75	.59 15	1554JPL	inch mm	5.8 147	3.0 76
1554R2GYSL	inch mm	6.3 160	6.3 160	2.4 60	1.77 45	.59 15	1554RPL	inch mm	5.94 151	5.8 147
1554S2GYSL	inch mm	6.3 160	6.3 160	3.5 90	2.95 75	.59 15	1554RPL	inch mm	5.94 151	5.8 147
1554H2GYSL	inch mm	7.1 180	4.7 120	2.4 60	1.77 45	.59 15	1554HPL	inch mm	6.6 168	4.2 107
1554T2GYSL	inch mm	7.1 180	4.7 120	3.5 90	2.95 75	.59 15	1554HPL	inch mm	6.6 168	4.2 107
1554U2GYSL	inch mm	7.9 200	4.7 120	3.5 90	2.95 75	.59 15	1554UPL	inch mm	7.6 193	4.2 107
1554V2GYSL	inch mm	9.5 240	6.3 160	3.5 90	2.95 75	.59 15	1554VPL	inch mm	9.1 231	5.7 145



CANADA
Guelph, Ontario (519) 822-2960
St. Laurent, Quebec (514) 343-9010
USA
Cheektowaga, NY (716) 630-7030

www.hammondmfg.com

EUROPE
Basingstoke, UK 01256 812812

AUSTRALIA
Queenstown, Australia 61-8-8240-2244

Watertight, Heavy Duty (1590ZGRP Series)



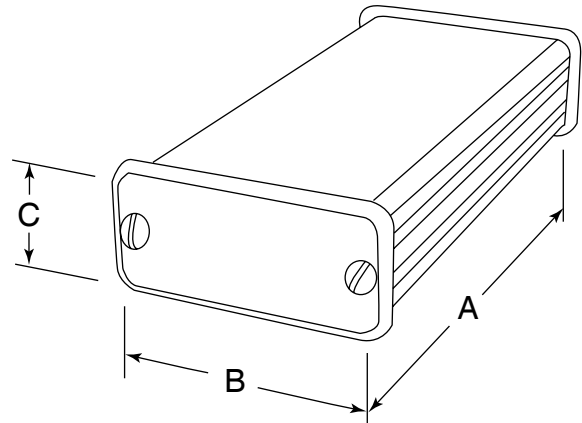
KEY FEATURES

- Molded in grey, glass reinforced polyester. Smooth finish.
- Includes gasketed lid with two piece "tongue & groove" construction.
- Heavy duty, thick wall design.
- Designed to meet IP65.
- North American Mark of Safety - CUL & UL listed. Industrial Control Panel Enclosure Certified to NEMA 4, 4X standards (UL 508) - File #E 65324.
- Lid contains self captivated stainless steel screws.
- Gasket material is Mohogumi rubber (EDPM). Heat resistance 100-120 degree C, cold -40 degree C.
- Easy wall mounting via "through box - blind hole" construction, outside of the gasket protection.
- Internal mounting shelf & bonding/mounting nuts molded in.

Part Number	Units	Length	Width	Depth (w/ Lid)	Box Depth	Lid Depth
1590ZGRP131	inch mm	7.48 190	2.94 75	2.17 55	1.58 40	0.59 15
1590ZGRP233	inch mm	7.87 200	9.84 250	4.54 115	3.74 95	0.80 20
1590ZGRP234	inch mm	10.04 255	9.87 250.8	4.73 120.25	3.74 95	0.99 25.25
1590ZGRP235	inch mm	10.04 255	9.87 250.8	6.32 160.5	3.74 95	2.58 65.5
1590ZGRP243	inch mm	15.75 400	9.84 250	4.73 120.25	3.74 95	0.99 25.25
1590ZGRP263	inch mm	23.62 600	9.84 250	4.72 120	3.74 95	0.99 25

NOTE: For original 7 sizes,
see page 34 of the 9C-05 catalog.

Extruded With Metal End Plates (1455 Series)



KEY FEATURES

- Designed to house P.C. boards or for equipment interfacing.
- Sized for standard Eurocards.
- P.C. boards mount horizontally by sliding into internal slots extruded into the enclosure body.
- Rugged body constructed from extruded aluminum with a minimum thickness of .06" (1.5 mm).
- Extruded body includes a slide removable "belly" plate.
- Includes two aluminum end panels (matched to aluminum body finish) and two black plastic bezels. These plastic bezels can be optionally installed to create a modern look.
- Hardware and self-adhesive rubber feet included.

Part Number		Units	A Length	B Width	C Depth
Clear	Black				
1455P1601	1455P1601BK	inch mm	6.30 160	4.74 120.5	1.20 30.5
1455Q1601	1455Q1601BK	inch mm	6.30 160	4.74 120.5	2.03 51.5
1455P2201	1455P2201BK	inch mm	8.66 220	4.74 120.5	1.20 30.5
1455Q2201	1455Q2201BK	inch mm	8.66 220	4.74 120.5	2.03 51.5

NOTE: For original 16 sizes and accessories, see page 82 of the 9C-05 catalog.



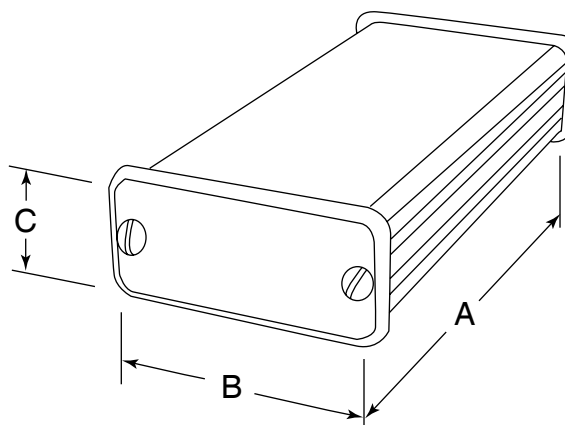
CANADA
Guelph, Ontario (519) 822-2960
St. Laurent, Quebec (514) 343-9010
USA
Cheektowaga, NY (716) 630-7030

www.hammondmfg.com

EUROPE
Basingstoke, UK 01256 812812

AUSTRALIA
Queenstown, Australia 61-8-8240-2244

Extruded With Plastic End Panels (1455 Series)



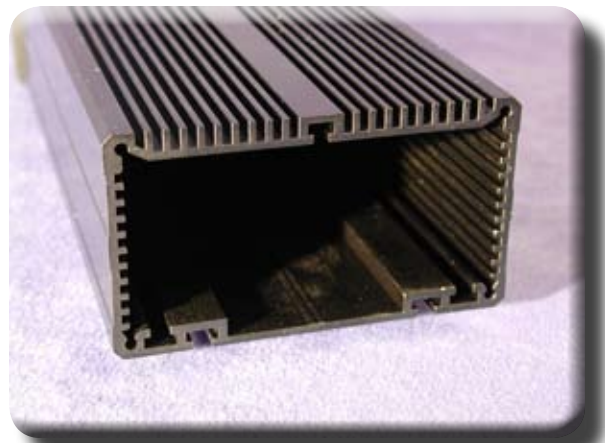
KEY FEATURES

- Designed to house P.C. boards or for equipment interfacing.
- Sized for standard Eurocards.
- P.C. boards mount horizontally by sliding into internal slots extruded into the enclosure body.
- Rugged body constructed from extruded aluminum with a minimum thickness of .06" (1.5 mm).
- Extruded body includes a slide removable "belly" plate - except the smaller "A" & "B" sizes (i.e. 1455A & 1455B series).
- Smaller sizes ("A" & "B") are rounded for better hand held ergonomics.
- Includes two easy to machine, black solid ABS plastic end panels. Panels are one piece with integral bezel.
- Extruded, anodized aluminum body.
- All hardware and rubber feet are included.

Part Number		Units	A Length	B Width	C Depth
Black	Clear				
1455A802BK	1455A802	inch mm	3.15 80	2.76 70	0.47 12
1455B802BK	1455B802	inch mm	3.15 80	2.82 71.7	0.75 19
1455A1002BK	1455A1002	inch mm	3.94 100	2.76 70	0.47 12
1455B1002BK	1455B1002	inch mm	3.94 100	2.82 71.7	0.75 19
1455A1202BK	1455A1202	inch mm	4.72 120	2.76 70	0.47 12
1455B1202BK	1455B1202	inch mm	4.72 120	2.82 71.7	0.75 19
1455P1602BK	1455P1602	inch mm	6.30 160	4.74 120.5	1.20 30.5
1455Q1602BK	1455Q1602	inch mm	6.30 160	4.74 120.5	2.03 51.5
1455P2202BK	1455P2202	inch mm	8.66 220	4.74 120.5	1.20 30.5
1455Q2202BK	1455Q2202	inch mm	8.66 220	4.74 120.5	2.03 51.5

NOTE: For original 16 sizes and accessories, see page 84 of the 9C-05 catalog.

Extruded “Sink” Instrument (431609-531623 Series)



KEY FEATURES

- The Sink Box series is a British designed extruded aluminum enclosure (originally sold under the West Hyde Enclosures Ltd. name).
- Ideally suited for mounting small printed circuit boards or chassis horizontally.
- The enclosure body is formed from a single, hollow aluminum extrusion. This gives the unit high strength as well as simplifying assembly.
- The aluminum extrusion has fins on one side (the top) which act as a heat sink. Aluminum end panels are attached to each end.
- Extrusions are anodized in a choice of either black or clear.
- The interior of the enclosure contains:
 - * numerous slots on both of the shorter sides to accept a P.C. board or chassis.
 - * three “T” slots (one in the top and two in the bottom which provide an alternative method of mounting chassis or components that need to be cooled by conduction).
 - * the single “T” slot in the top takes an M3 half-nut.
 - * the two “T” slots in the bottom take M4 half-nuts.
- The exterior of the enclosure contains:
 - * heat sink fins across the entire top.
 - * two “T” slots on the bottom to allow mounting of wall brackets, belt attachment or to connect to another enclosure.
 - * the two bottom “T” slots take M4 half-nuts.
- Also includes molded black plastic bezels which can be used to protect the end panels.
- End panel assembly screws are included.

Part Number		Designed for PC. Board Width of	Units	Length	Width	Depth
Black	Clear					
431609	531609	85mm	inch mm	3.94 100	3.52 90	2.00 51
431612	531612	85mm	inch mm	5.91 150	3.52 90	2.00 51
431610	531610	85mm	inch mm	7.87 200	3.52 90	2.00 51
431611	531611	100mm	inch mm	4.92 125	4.13 105	2.36 60
431621	531621	100mm	inch mm	6.50 165	4.13 105	2.36 60
431622	531622	100mm	inch mm	8.86 225	4.13 105	2.36 60
431623	531623	100mm	inch mm	11.22 285	4.13 105	2.36 60



CANADA
Guelph, Ontario (519) 822-2960
St. Laurent, Quebec (514) 343-9010
USA
Cheektowaga, NY (716) 630-7030

www.hammondmfg.com

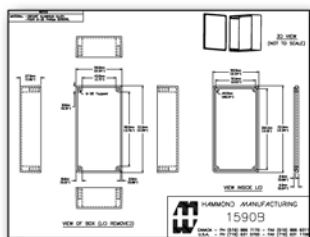
EUROPE
Basingstoke, UK 01256 812812

AUSTRALIA
Queenstown, Australia 61-8-8240-2244

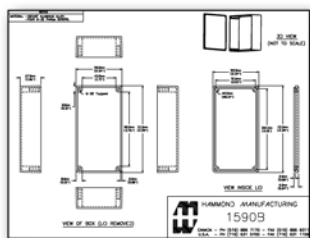
www.hammondmfg.com



We have attempted to make this one of the easiest catalogs in the industry to use! By doing so, we decided not to print all - part by part "detail" dimensions of each model. We are focusing on our website as THE central location for this type of information. Our goal, is that it will become one of your favorite tools when choosing enclosures, transformers & outlet strips! A summary of what is available on our site:



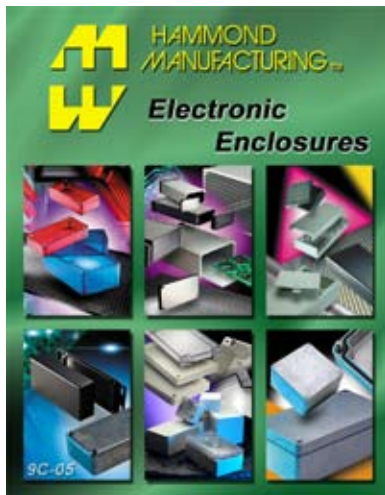
Individual part number dimension drawings in color, downloadable in Adobe Reader PDF format . Readable and printable in high resolution!



Individual part number dimension drawings in AutoCAD formats...

AND

- Color photo tables with thumbnail previews for each part number...
- Distributor locations and links - we have teamed up with the best in the industry to bring you our products fast. Many complete with "on-line" order entry...
- NEW products, technical data, engineering bulletins, etc. for fast downloading...
- FAST e-mail links to our marketing department to order our other product catalogs...
- Links to other Hammond Manufacturing divisions...
- and much, much more....even a link to the fascinating Hammond "Museum of Radio"



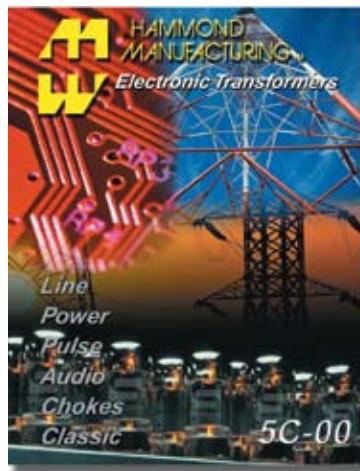
Electronic Enclosures
9C-05



Outlet Strips &
Line Transformers
PB-02



Electronic Racks &
Cabinets
9R-05



Electronic Transformers
5C-00



Industrial & Commercial
Electrical Enclosures
E5

Web Site: www.hammondmfg.com
email: sales@hammondmfg.com

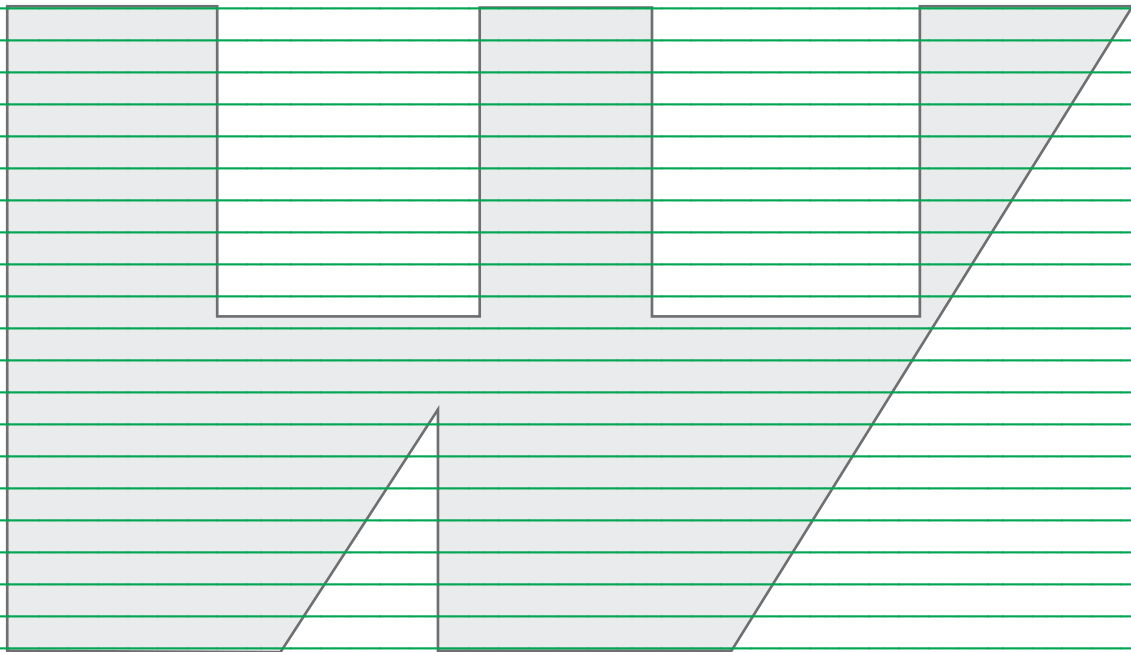
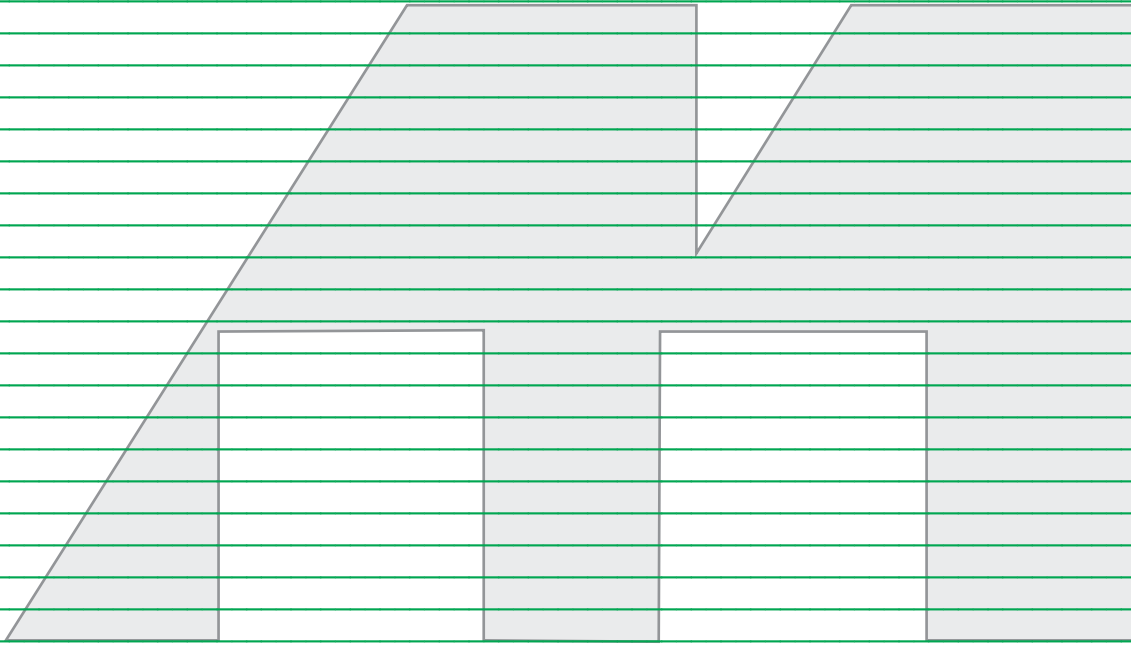


CANADA
Guelph, Ontario (519) 822-2960
St. Laurent, Quebec (514) 343-9010
USA
Cheektowaga, NY (716) 630-7030



EUROPE
Basingstoke, UK 01256 812812
AUSTRALIA
Queenstown, Australia 61-8-8240-2244

NOTES



CANADA

Guelph, Ontario (519) 822-2960
St. Laurent, Quebec (514) 343-9010

USA

Cheektowaga, NY (716) 630-7030



EUROPE

Basingstoke, UK 01256 812812

AUSTRALIA

Queenstown, Australia 61-8-8240-2244

Picture your product in...

a factory modified Hammond enclosure!

- Fast turnaround on prototypes...
- Start-up quantities through full "production" runs...

Machining



Silk Screening

Hot Stamping

Special Colors

Custom Materials

Easy to quote and order!

- Mark up the drawings in this catalog & fax or mail, or...
- Mark up our PDF drawings downloadable from our website, or...
- Modify our AutoCAD files downloadable from our website...
- and e-mail us at: modifieds@hammondmg.com



HAMMOND MANUFACTURING™



CANADA

Hammond Mfg. Co. Ltd.
394 Edinburgh Road North
Guelph, Ontario N1H 1E5
Tel: (519) 822-2960
or (905) 456-3770
Fax: (519) 822-0715

EUROPE

Hammond Electronics Limited
1 Onslow Close
Kingsland Business Park
Basingstoke, Hampshire
RG24 8QL
United Kingdom
Tel: 01256 812812
Fax: 01256 332249

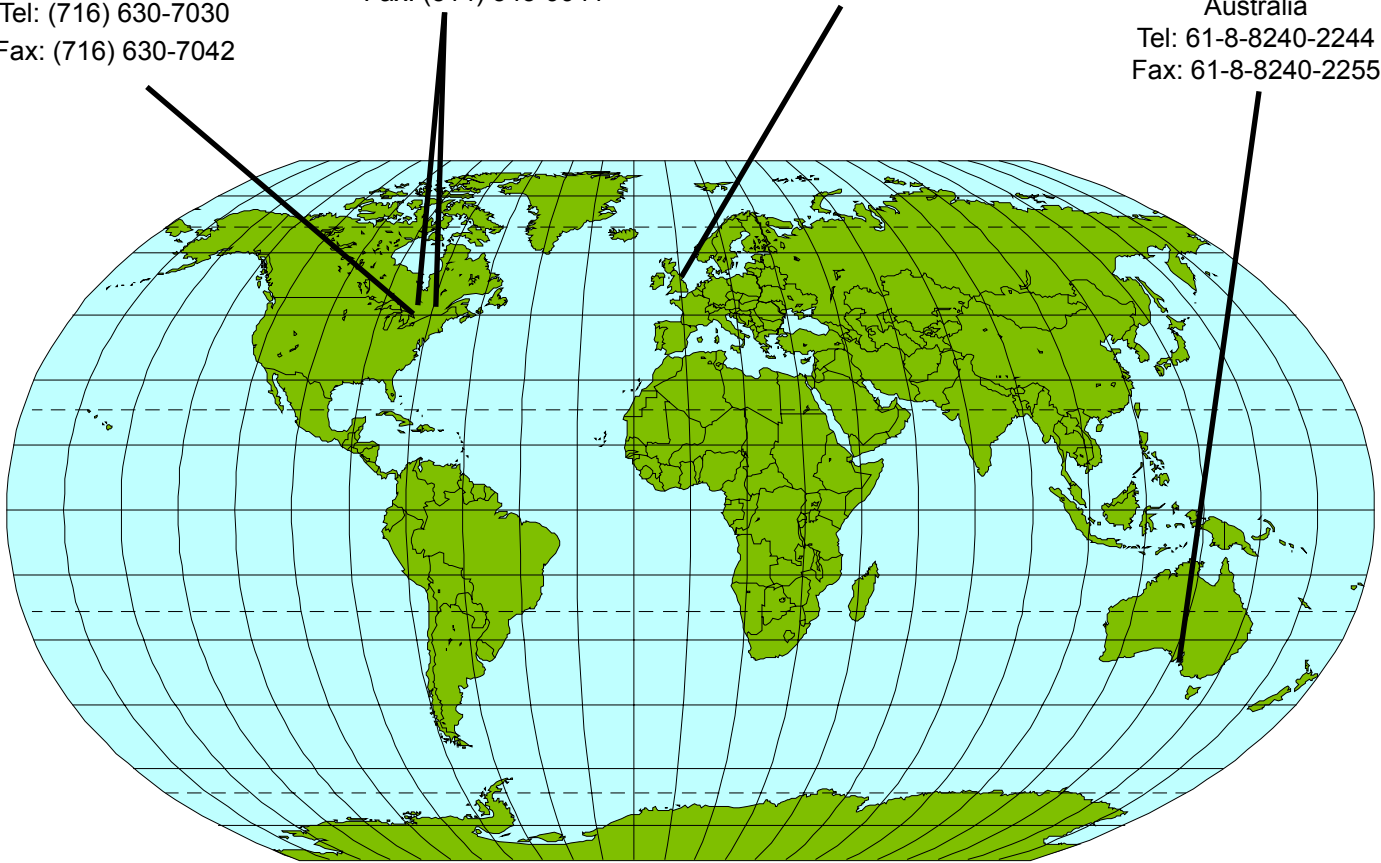
AUSTRALIA

Hammond Electronics Pty. Ltd.
ABN 13 099 121 981
11-13 Port Road
Queenstown, SA 5014
Australia
Tel: 61-8-8240-2244
Fax: 61-8-8240-2255

USA

Hammond Mfg. Co. Inc.
475 Cayuga Road
Cheektowaga, NY 14225
Tel: (716) 630-7030
Fax: (716) 630-7042

Les Fabrications Hammond
(Quebec) Inc.
4240 Seré Street
St. Laurent, Quebec H4T 1A6
Tel: (514) 343-9010
Fax: (514) 343-9941



www.hammondmfg.com

www.mainelectronics.com

Printed in the U.S.A.